

allure[®] Transitional Shades

Board Mounted and Couplitaire Installation Instructions



Tools Needed

#6 Hex Head Provided



Wall Anchors Not Provided



Sheet Metal Not Provided



Fasteners

Thank you for choosing Allure Transitional Shades. With proper installation and care, your new shades will provide many years of beauty and performance.

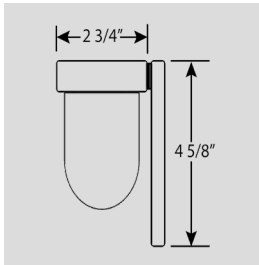
Variations are the appeal of Allure...

The exclusive processes used in weaving these materials create distinctive variations and you may see various threads or slubs woven into the fabric creating light or dark colors intermittently dispersed throughout. These variations are intentional and add to the beauty and truly unique appearance of each shade.

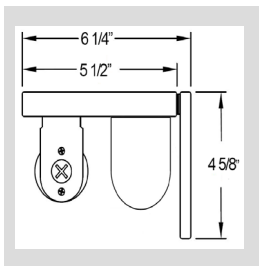
BEFORE INSTALLING

Remove shade from the package. Keep all packaging until the shade operates to your satisfaction. Contents of your hardware package may vary depending on options chosen. Additional fasteners may be needed based on your specific mounting surface.

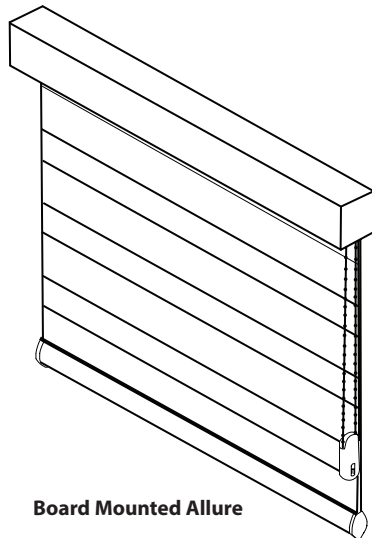
***Important** - For shades with Accu-Rise, a plastic handle will be included in the hardware package. This handle **MUST** be installed after the shade installation for proper shade operation. (See Step 5)



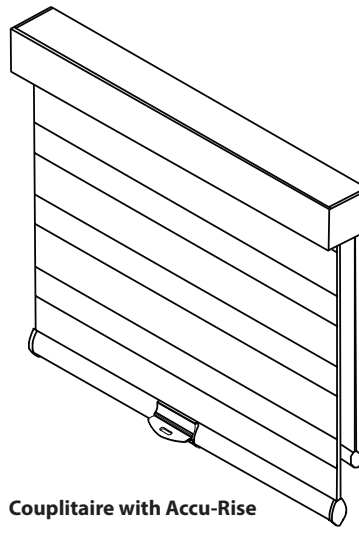
Board Mounted



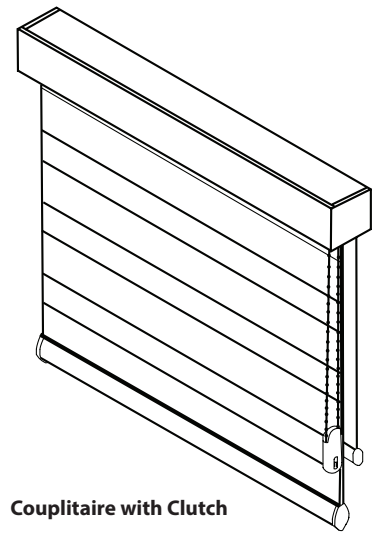
Couplitaire



Board Mounted Allure



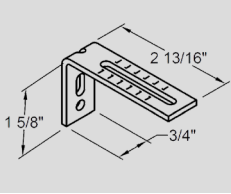
Couplitaire with Accu-Rise



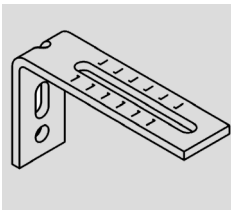
Couplitaire with Clutch

allure® Transitional Shades

Installation Instructions



Board Mounted/
Couplitaire Bracket



2 3/4" Projection Bracket
OR
3 5/8" Projection Bracket

INSTALL THE BRACKETS

Inside Mount

- > Couplitaire - No Brackets Required
- > Board Mounted - No Brackets Required

INSTALL THE BRACKETS

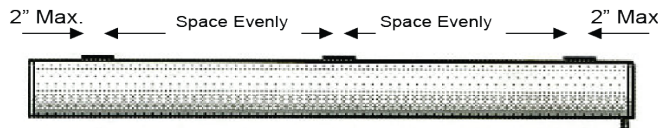
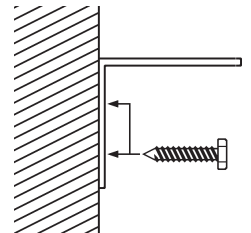
Outside Mount

Measure 2" in from each end of the headrail and mark the bracket location on the mounting surface. Space additional brackets evenly between the end brackets.

Mount first bracket by putting a screw into the slotted hole of the bracket. Repeat process on the other side. If center support is needed, evenly space it between the left and right bracket.

Place a 4' level on top of brackets and adjust the brackets up or down as needed to assure they are level.

Once level, tighten the screw and place an additional screw in the round hole of the bracket.



Shade Width	Brackets Required	2-On-1 Headrail
15" - 48"	2	If using 2-On-1 headrail option, a center bracket is required at center gap.
48 1/16" - 72"	3	
72 1/16" - 90"	4	
90 1/16" - 120"	5	
120 1/16" - 156"	6	

Step 1

INSTALL THE SHADE

Inside Mount

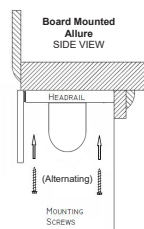
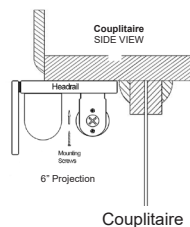
> Couplitaire
Place a screw 2" in from each end. Space additional screws evenly between the screws.
Between the two shades, pre-drill the headrail vertically with a 3/16" drill bit before securing with screws.

Operate the shade for proper operation and adjust if necessary.

> Board Mounted Allure
Place a screw 2" in from each end. Space additional screws evenly between the screws.
Starting in front of the shade at each end, alternate screws in front and behind shade. Pre-drill the headrail vertically with a 3/16" drill bit before securing with screws.

Snap shade into brackets already attached to board.

Operate the shade for proper operation and adjust if necessary.



Board Mounted

INSTALL THE SHADE

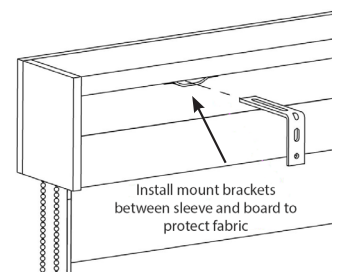
Outside Mount

Place shade on to mounted brackets and evenly adjust the shade side to side for optimal coverage of the window.

Place a 3/4" screw up from the bottom, in between the shades, and into the slotted part of the bracket for Couplitaire.

Place 3/4" screw up from the bottom to the front of the shade, and into the slotted part of the bracket for board mounted Allure. Snap shade into brackets already attached to board.

Operate the shade for proper operation and adjust if necessary.



Step 2

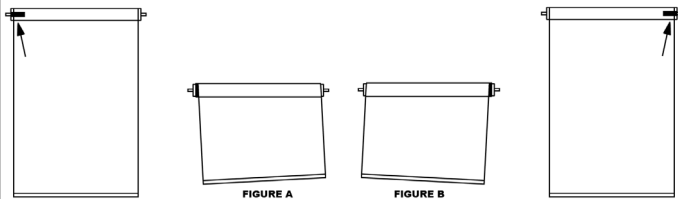
Installation Instructions

ADJUST THE SHADE (if necessary) (Back shade only)

Any product that rolls on a tube or roller has a potential to skew. All shades are checked for skewing at the time of inspection. The factory will shim the roller if necessary to assure your shades are rolling straight. When installing, make sure the brackets are level. If the brackets are off by even as little as 1/8", skewing can occur.

If shade veers toward the right, lower completely and place a 4" strip of masking tape on the roller on the left side. Repeat as necessary until a straight roll is achieved. (Fig. A)

If shade veers toward the left, lower completely and place a 4" strip of masking tape on the roller on the right side. Repeat as necessary until a straight roll is achieved. (Fig. B)



Step 3

ADJUSTING THE LOWER STOP

Inside/Outside Mount - Right Control

1. Measure how much shade needs to be raised or lowered. (IB)
2. Remove shade from window opening. (IB)
3. Remove cassette cover opposite of clutch (idle end of the shade)
4. Lower shade to original lower limit.
5. Pull slightly on chain to create slack in clutch.
6. Insert large flat blade screwdriver into end of shade.
7. Turn clockwise to raise shade or counter clockwise to lower shade.
8. Pull on chain to make sure desired length is correct. If not, repeat steps 5 - 7.
9. Reattach cassette cover (and return shade to window opening if (IB).

Inside/Outside Mount - Left Control

Follow steps 1 - 6 above.

7. Turn counter clockwise to raise shade or clockwise to lower shade.
8. Reattach cassette cover (and return shade to window opening if (IB).

Step 4

ATTACH THE VALANCE

Attach the valance to the velcro strip attached to the headrail

INSTALL HANDLE (Accu-Rise Only)

At center of bottom rail, place a small pencil mark. Push handle onto rail until securely in place, then adjust right or left to center.

Step 5

INSTALL CORD TENSION LOCK

See Cord Tension Lock installation Instructions

INSTALL HOLD-DOWNS (Optional)

See Hold-Down Installation instructions

Step 6

CARE AND CLEANING

Allure Transitional Shades have an extraordinary and remarkable self-dusting feature. Simply roll the shade up into the headrail and back down again to remove dust. The shading can be feather dusted or vacuumed at a low setting. Spots can be cleaned with a damp sponge and mild soap. To avoid discoloration, do not use chemical cleaners. Ultrasonic cleaning is not recommended. It will damage the shade.

Note: In dry conditions, static may occur causing front and back panels to stick together or fabric to wave. If this happens, please spray with anti-static guard. This may have to be done periodically to eliminate static buildup. Recommended brand is "Static Guard".