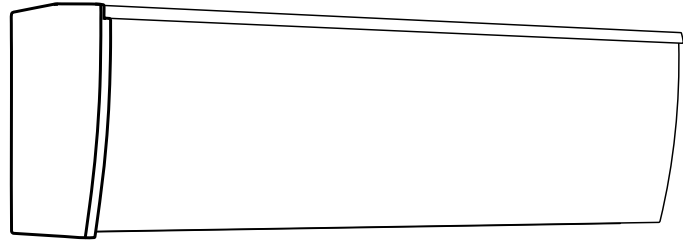




Transitional Shades



Modern Cassette

Installation Instructions

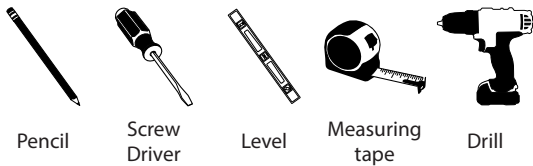
Thank You

Thank you for choosing your Allure Transitional Shade
With proper installation and care, your new shades will provide many years of beauty and performance.

Before Installing

Remove shade from the package. Keep all packaging until shade operates to your satisfaction. Contents of your hardware package may vary depending on options chosen.
Additional fasteners may be needed on your specific mounting surface (not included).

Tools Needed

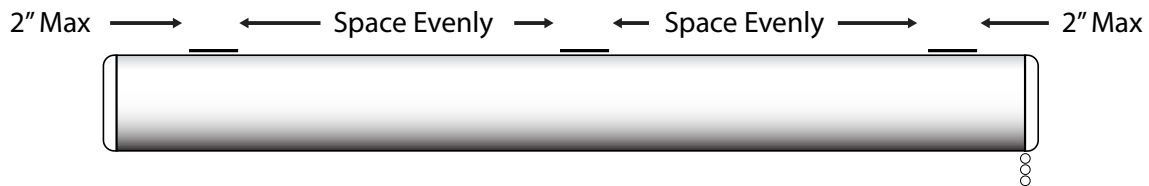


Shade Width	Brackets Required	2-on-1 Headrail
15" - 48"	2	If installing a 2-on-1 headrail: one bracket is required to be located at the Center Gap
48 1/16" - 72"	3	
72 1/16" - 90"	4	
90 1/16" - 120"	5	
120 1/16" - 156"	6	

Step 1

Space Brackets in Window

Measure 2" in from each end of the headrail and mark the bracket location on the mounting surface.
Space additional brackets evenly between the end brackets and mark the bracket location on the mounting surface

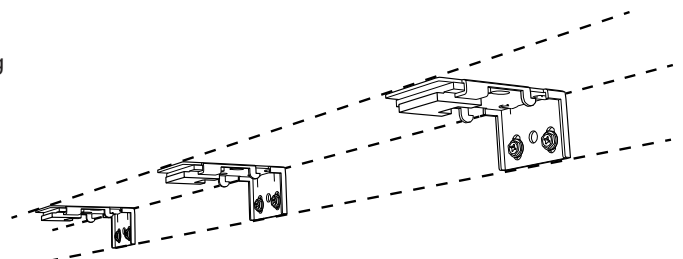


Note: install brackets into studs or headers when possible, and space evenly



If spacer blocks are being used, place in between mounting surface and bracket before attaching with screws
(Longer screws may be required)

IMPORTANT: Brackets need to be Level and Aligned
Shimming Brackets may be required

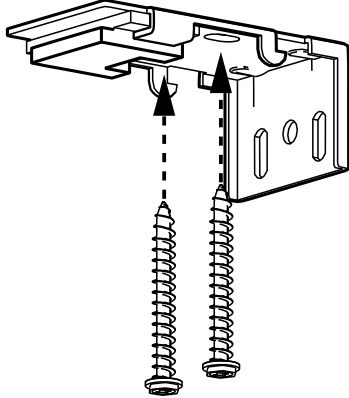


Step 2

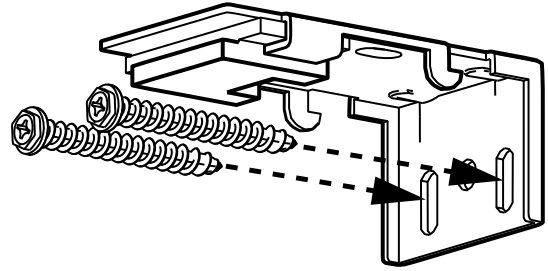
Install the Brackets

Use two screws to secure to the mounting surface

INSIDE MOUNT



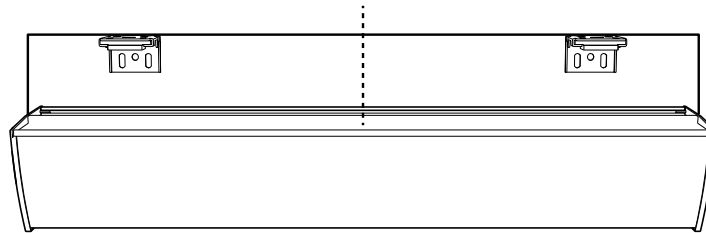
OUTSIDE MOUNT



IMPORTANT: Two screws are needed to attach each installation bracket

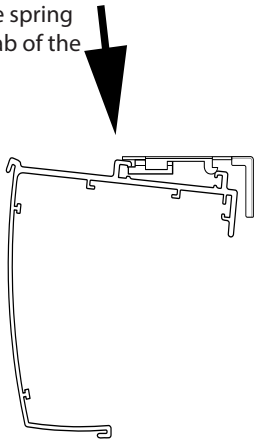
Step 3

Install the Shade

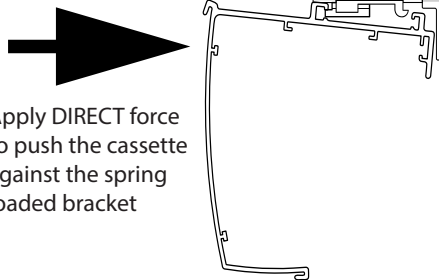


Center Shade with Window Opening

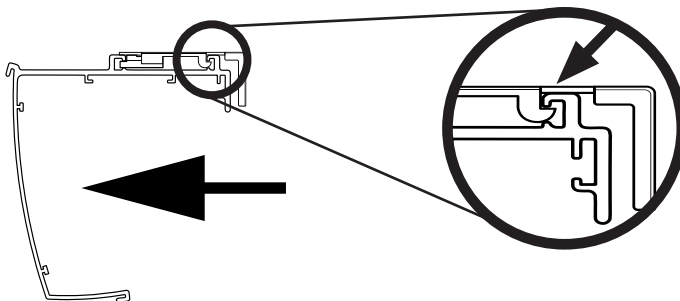
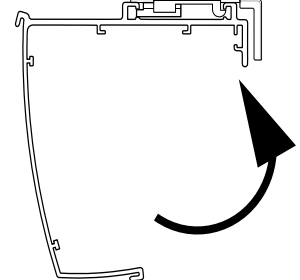
Rest the top-front lip on the spring loaded tab of the bracket



Apply **DIRECT** force to push the cassette against the spring loaded bracket



Rotate the back of the cassette up until the lip is properly seated on the bracket



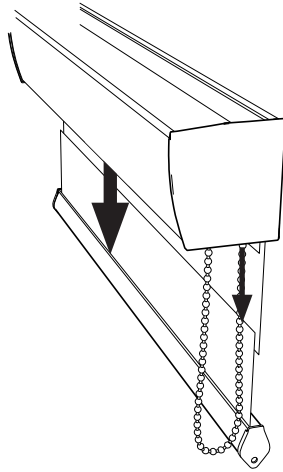
Pull forward on the Cassette to make sure the rear lip on the cassette is fully seated on the brackets

Step 4

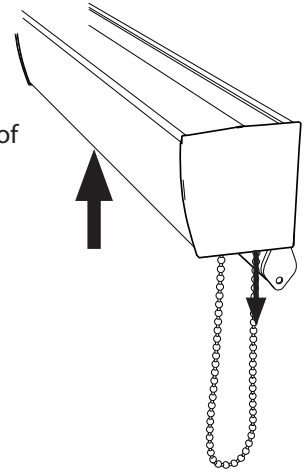
Operate the Shade

Clutch: Right Hand Control

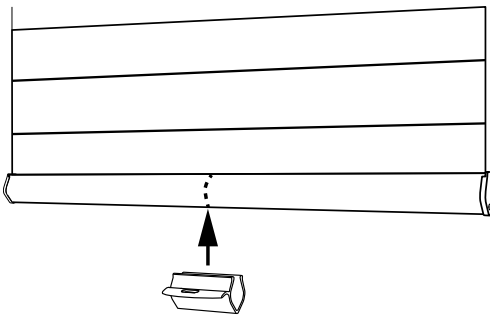
Pull gently on the back side of the chain to lower it.



Pull gently on the front side of the chain to raise it.

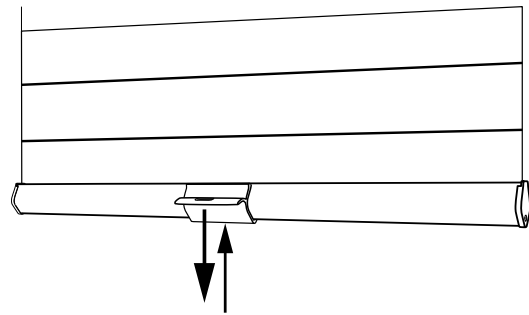


Accu-Rise



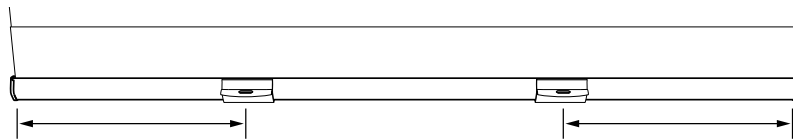
Find the Center of your Bottom Rail

Snap the Handle onto the rail in the center position



Pull Accu-Rise shade gently from the Handle to lower it.

Push up from center to raise it.

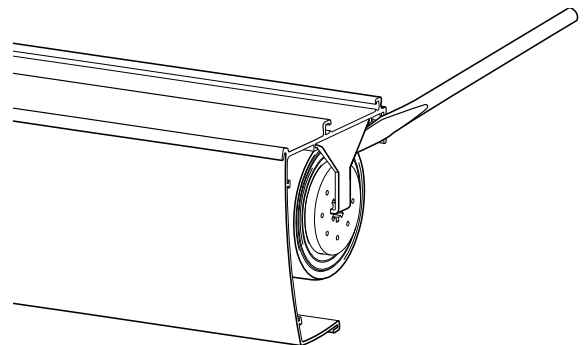


If shade is wider than 48"
Use 2 handles spaced evenly from each end and operate with both hands

Troubleshooting:

If shade doesn't raise, the roller may be binding on the internal brackets.

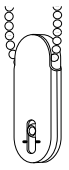
Remove End Caps and gently pry the internal bracket away from the roller so that it moves freely



Step 5

Install Cord Tensioners

Cord Tension Lock

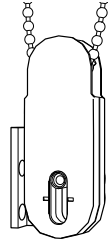
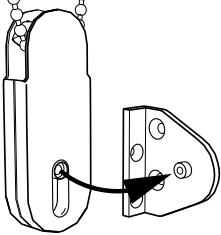


Installers MUST INSTALL Cord Tension Lock Properly

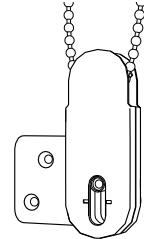
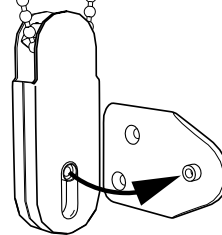
Mark Mounting Position

Lower shade to make sure the Cord Tension Lock is not placed in the path of the bottom rail or fabric

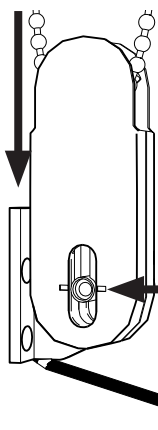
Outside Mount



Inside Mount



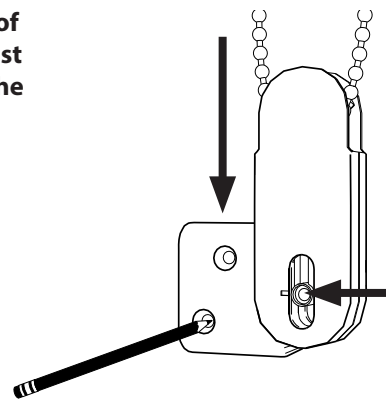
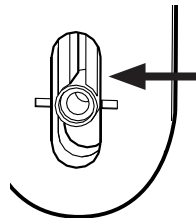
Insert the nub of the Bracket into the Tensioner Center Hole



Pull the Chain taut with the Bracket on the mounting surface

Slide the Bracket and the Tensioner Center down to the Guide Lines on the Cord Tensioner

The Center Hole of the Tensioner must be aligned with the guide lines



While holding the lock firmly in place, check that the loop can move freely through the Tensioner

Mark the bracket's location on the mounting surface

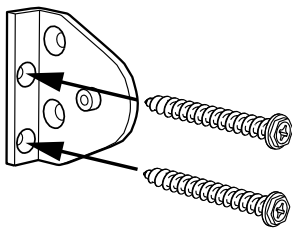
If the Bracket is not Aligned properly:

If the Tensioner locks onto the loop, it is too loose and the bracket and lock should be **moved down**

If the loop does not run freely through the lock, it is too tight and the bracket and lock should be **moved up**

Attach the Bracket to Mounting Surface

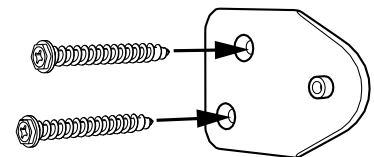
Outside Mount



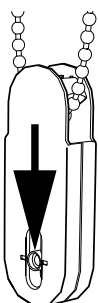
Use the marks to position the brackets on the mounting surface

Move Tensioner out of the way and attach to Mounting Surface with the Two Longer Screws provided

Inside Mount



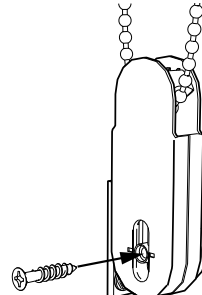
Attach the Cord Tension Lock to Bracket



Pull the Tensioner's spring loaded Slider down to the bracket

a small tool may be helpful in moving the slider

Outside Mount

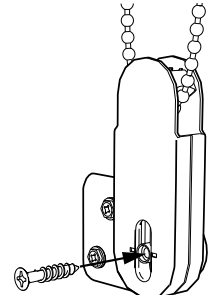


Make sure the Tensioner's Center Hole is seated on the nub of the bracket

Use the small screw to attach Tensioner

Do not Overtighten

Inside Mount

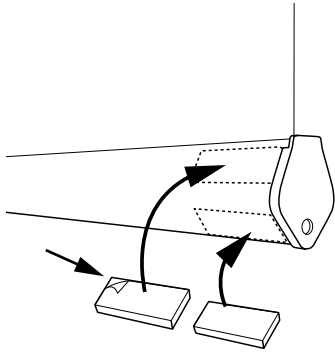


IMPORTANT: the Tension Lock must be properly installed and secured

Step 6

Install Hold Down Magnetic (standard)

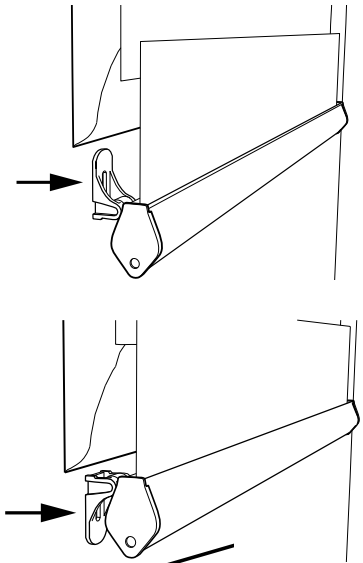
Remove Film from Magnet strips and attach to Top and Bottom of the Rail



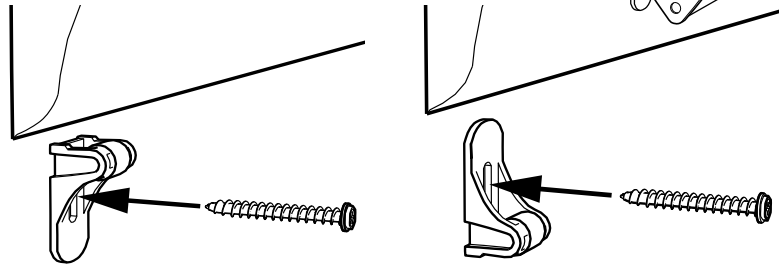
Determine the orientation of the Hold Down Bracket

Lower the shade to the closed position and mark the Bracket location where it attaches to the TOP of the Rail

This allows the shade to be opened while still attached to the bracket

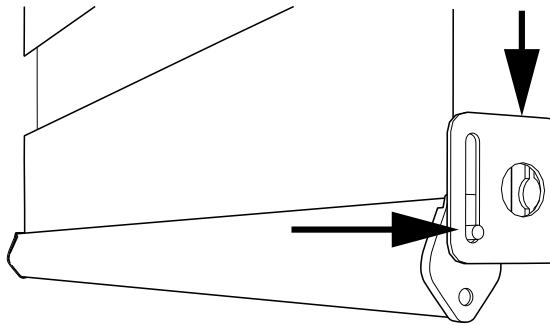


Secure HoldDown to the wall



Step 6

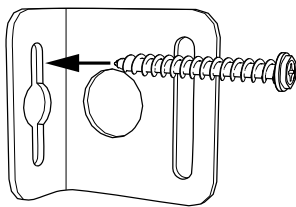
Install Hold Down (optional)



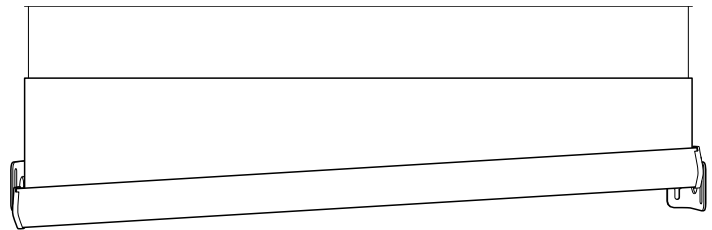
Lower the shade to the closed position

line up the Hold Down bracket where the pin on the Rail is at the bottom of the slot

This allows the shade to be opened while still in the bracket



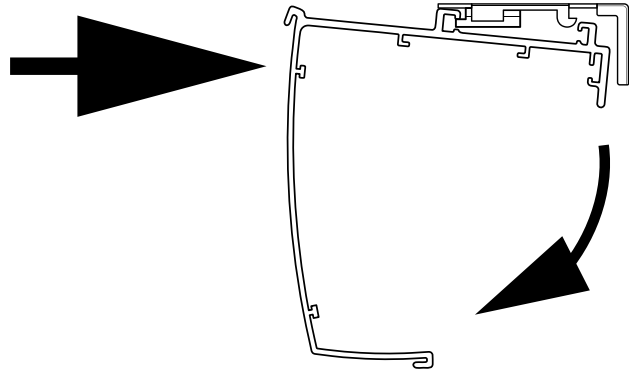
Attach Bracket to mounting Surface



Rotate the bottom rail to get the pins into the brackets

Shade Removal

Use DIRECT force to
push the cassette
back into the spring
loaded tab



Rotate the rear
of the shade
down and away
from the bracket
to remove