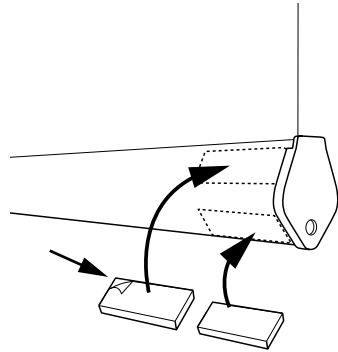


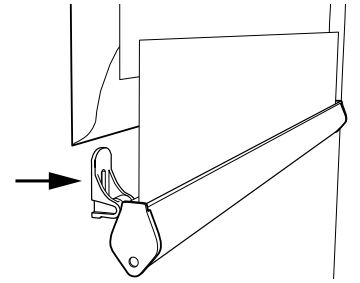
### Install Hold Down (standard)

#### Magnetic

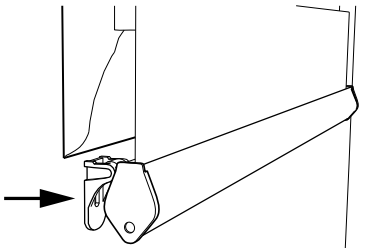
Remove Film from Magnet strips and attach to Top and Bottom of the Rail



Determine the orientation of the Hold Down Bracket

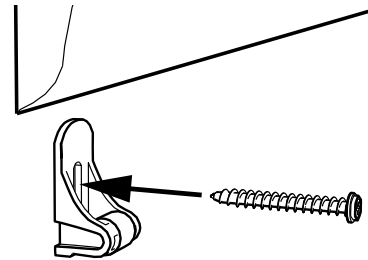
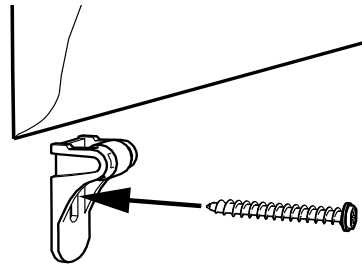


Lower the shade to the closed position and mark the Bracket location where it attaches to the TOP of the Rail



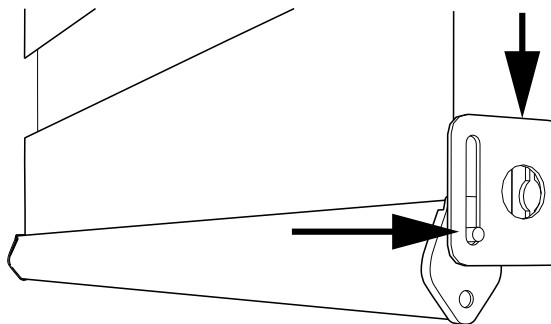
This allows the vanes to be opened while still attached to the bracket

Secure HoldDown to the wall



### Install Hold Down (optional)

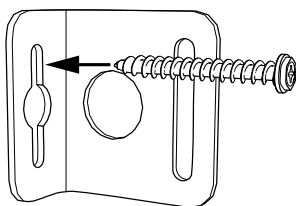
#### Traditional



Lower the shade to the closed position

line up the Hold Down bracket where the pin on the Rail is at the bottom of the Hold Down Slot

This allows the vanes to be opened while still in the bracket



Attach Bracket to mounting Surface



Rotate the bottom rail to get the pins into the brackets