

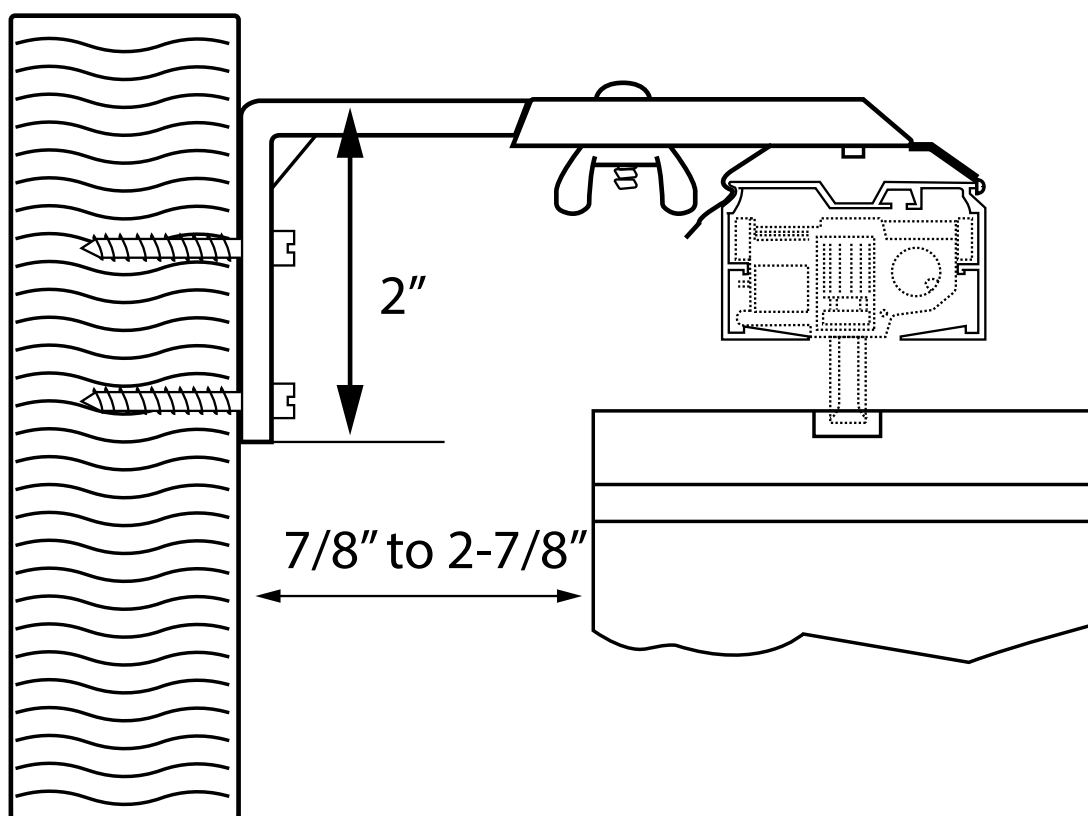


Installation Instructions

- [Decomatic](#)

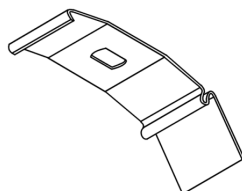
Click [BACK](#) on any page to return to the Table of Contents

Installation Instructions Discoveries Decomatic Headrail



98282

Wall Bracket Standard Adjustable



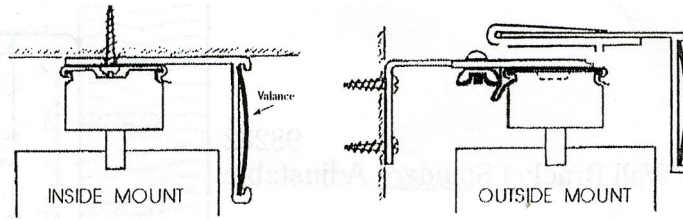
98286

Ceiling Clip

Dust Cover Valance

Inside Mount

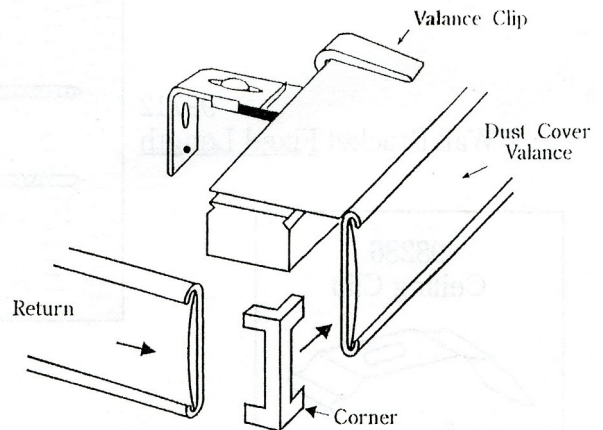
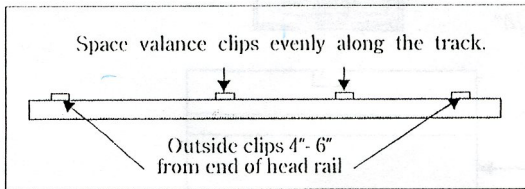
With inside or ceiling mount, simply install the ceiling clip and mounting screw through the valance as shown. Assemble corners and returns as shown. The returns may need trimmed to size with heavy duty scissors. Make sure the vane doesn't hit the inside face of the valance when rotating.



Outside Mount

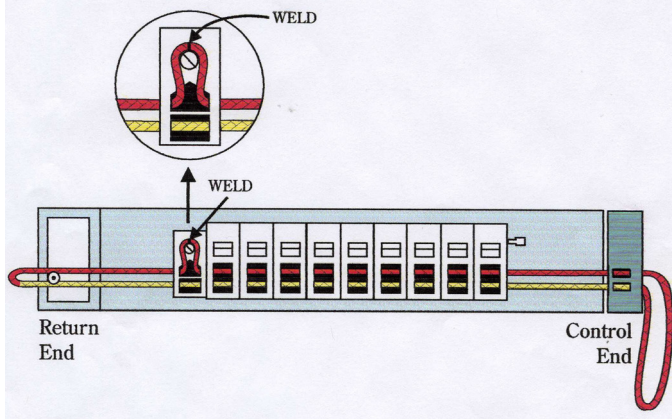
Mount head rail, snap the valance clips onto the head rail. Insert the dust cover top into the valance clips, assemble corners and returns as shown. The returns may need trimmed to size with heavy duty scissors.

Placement of Valance Clips and Bracket Spacing



ONE-WAY DRAW UNITS - CORDING DIRECTIONS

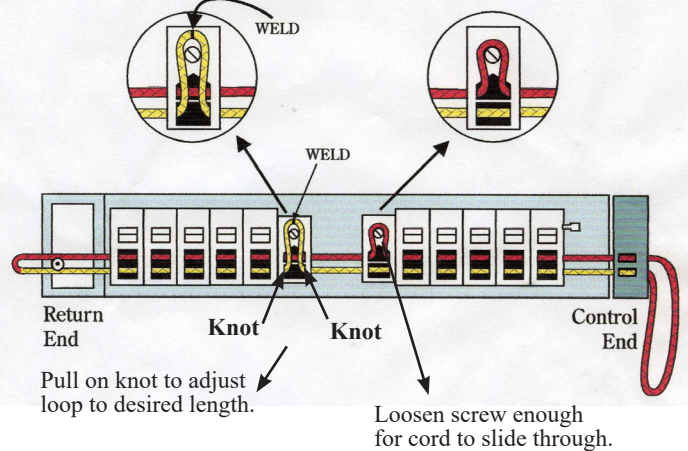
Heat two ends together and fasten to lead carrier.



SPLIT DRAW TRACK - CORDING DIRECTIONS

Heat two ends together and fasten to lead carrier.

Loop upper cord around screw, adjust and tighten.



Control Chain:

- One full cycle of the control chain (13-1/2") will self align the vanes and stems if out of sync.

