

## Installation Instructions



### 5" Fascia Single

### SL clutch and Motorized

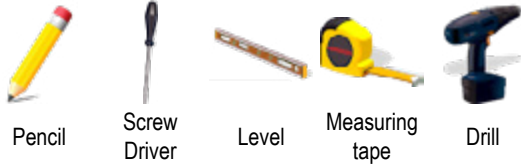
Thank You

Thank you for choosing Genesis Custom Window Shades. With proper installation and care, your new shades will provide many years of beauty and performance.

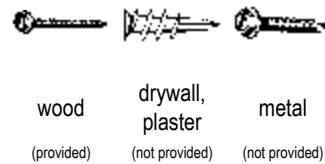
### Before Installing

Remove shade from the package. Keep all packaging until shade operates to your satisfaction. Contents of your hardware package may vary depending on options chosen. Additional fasteners may be needed on your specific mounting surface.

#### Tools

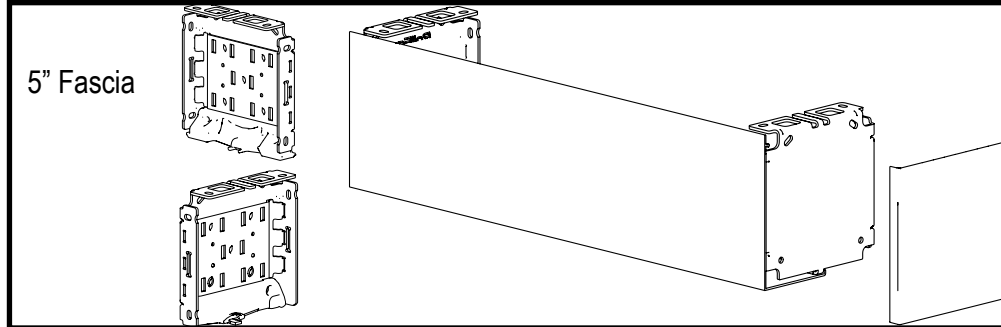


#### Fasteners



### Your Shade

### Single Shade SL/Motorized with 5" Fascia

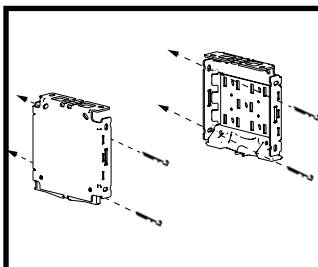


### Step 1

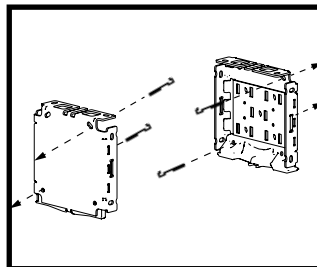
### Install Brackets

The Open End of each bracket faces Downward, as shown below. Use at least two screws per bracket, and make sure screw heads clear the clutch.

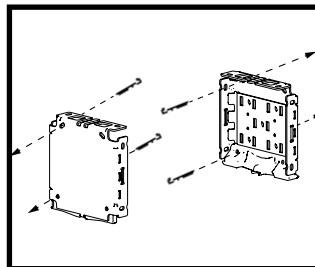
#### Outside Mount



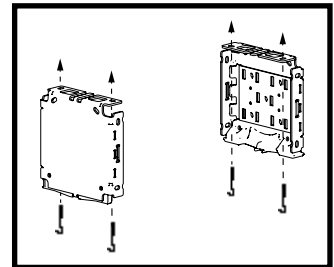
#### Inside Mount



#### Partial Inside Mount



#### Ceiling Mount

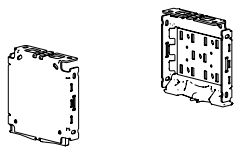


Make sure Brackets are mounted Level or the shade will not roll straight.

## Installation Instructions

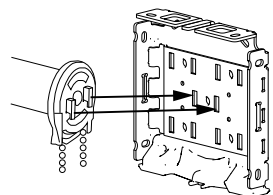
### Step 2

### Install the Shade



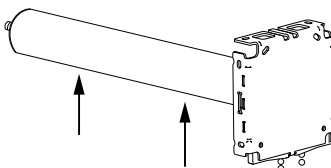
5" Fascia Brackets

#### Step 1



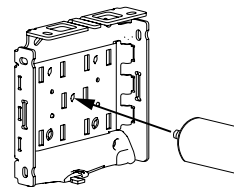
Install the clutch end or motor end of the shade first by inserting the tabs into the holes on the plate of the bracket

#### Step 2



Be sure to support the shade in the middle and not to rest it completely on the tabs of the clutch or motor to avoid damaging them

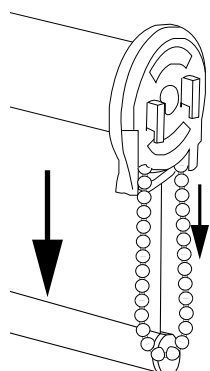
#### Step 3



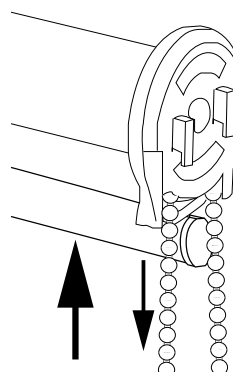
insert the spring loaded pin end of the idler end into the corresponding hole on the opposite bracket

### Step 3

### Operate the Shade



Pull gently on the back side of the chain to lower it.



Pull gently on the front side of the chain to raise it.

Check Shade for proper operation. If shade Skews left or right (does not roll up straight), check that the brackets are level. If brackets are level and the shade still skews, it may require shimming.

### Shimming

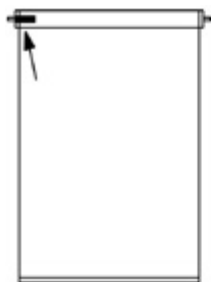


FIGURE A

If shade veers toward the right (Fig. A) lower the shade completely and place a 4" strip of masking tape on the roller on the left side. Repeat as necessary until a straight roll is achieved.



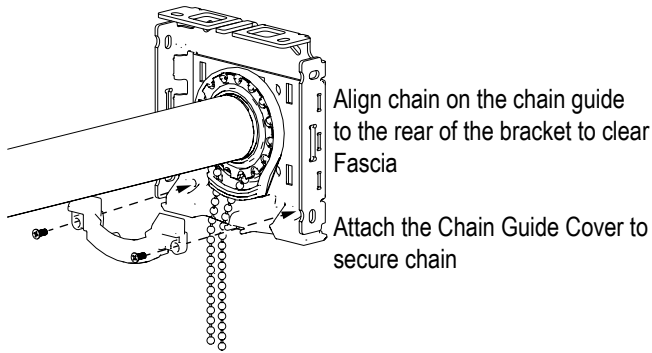
FIGURE B

If shade veers toward the left (Fig. B) lower the shade completely and place a 4" strip of masking tape on the roller on the right side. Repeat as necessary until a straight roll is achieved.

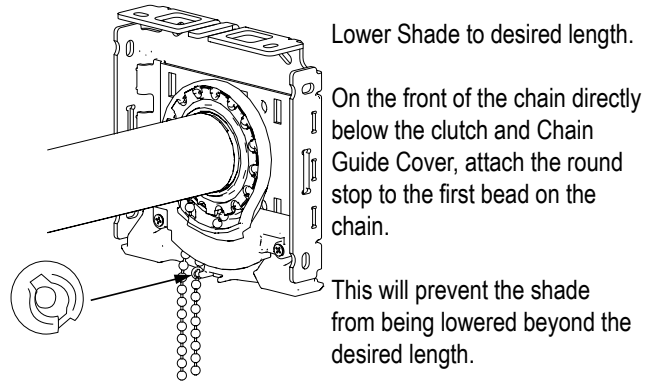
## Step 4

## Install Cord Tensioner, Hold Downs, Chain Stop, Chain Guide Cover

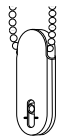
### Chain Guide Cover



### Chain Stop



### Cord Tensioner



See Cord Tension Lock installation instructions

### Hold Downs



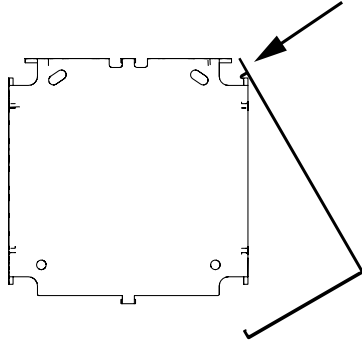
See Hold-Down installation instructions

## Step 5

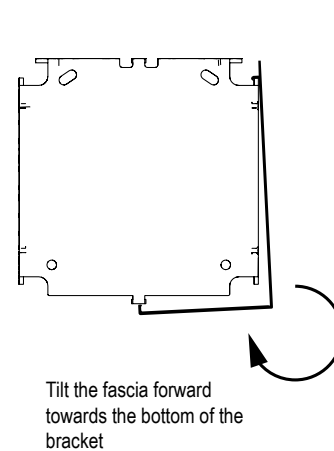
## Install the Fascia

Tilt fascia so that the lip at the top of the fascia can hook onto the top of the bracket

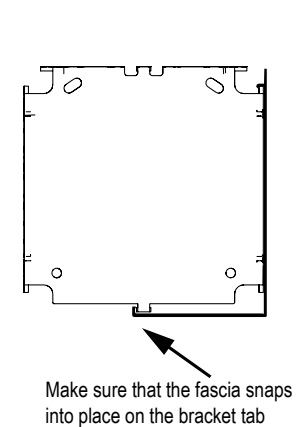
### Step 1



### Step 2



### Step 3



After the shade is installed and operates correctly, proceed to install the fascia

## Step 6

## Install the Bracket Covers

