

## Installation Instructions



### 5" Fascia Single

### SL 30 Clutch

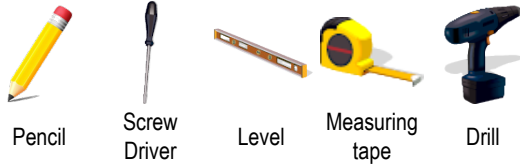
#### Thank You

Thank you for choosing Genesis Custom Window Shades. With proper installation and care, your new shades will provide many years of beauty and performance.

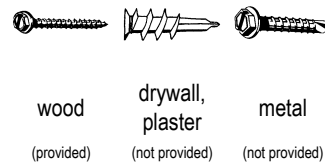
#### Before Installing

Remove shade from the package. Keep all packaging until shade operates to your satisfaction. Contents of your hardware package may vary depending on options chosen. Additional fasteners may be needed on your specific mounting surface.

#### Tools

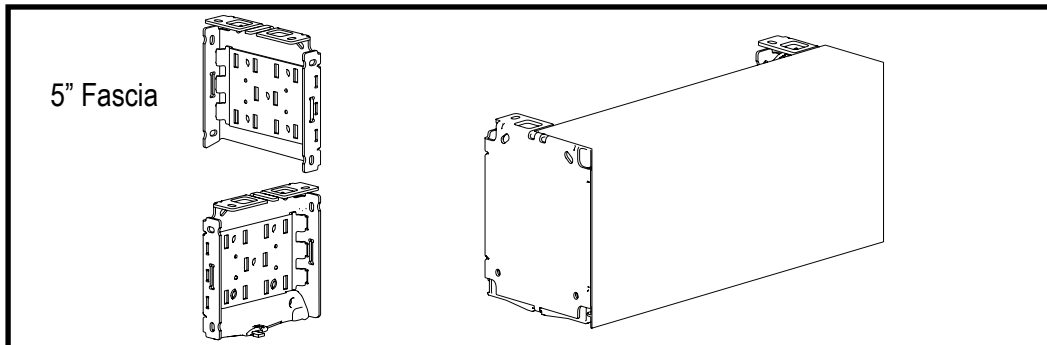


#### Fasteners



#### Your Shade

#### Single Shade SL 30 with 5" Fascia

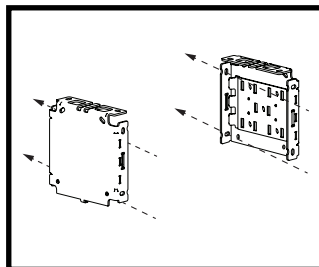


**Notice: Due to the size of the SL 30 Clutch the Fascia is attached from the top of the Brackets**

#### Step 1 Install Brackets (OSM)

The Open End of each bracket faces Downward, as shown below. Use at least two screws per bracket, and make sure screw heads clear the clutch.

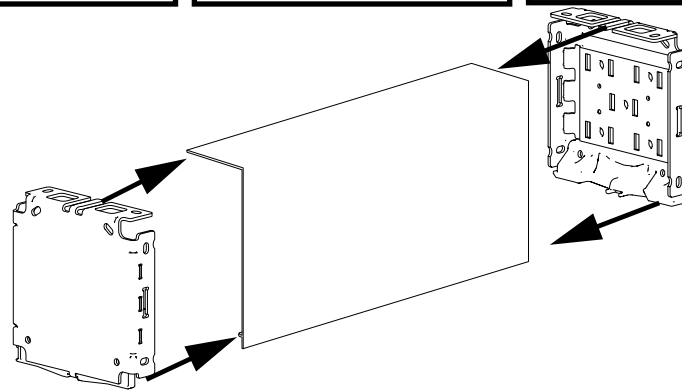
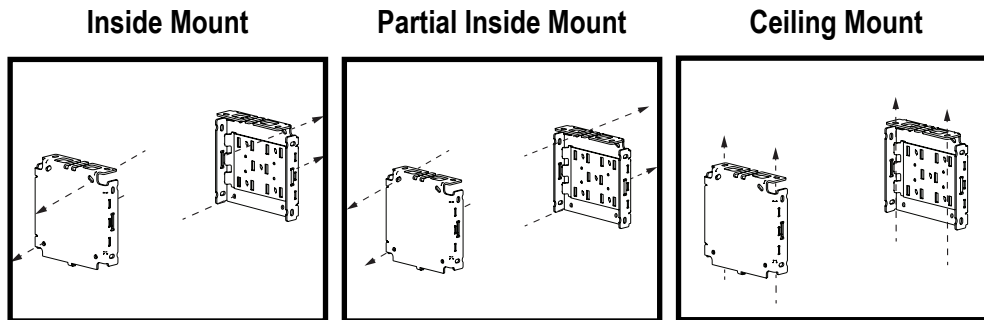
#### Outside Mount



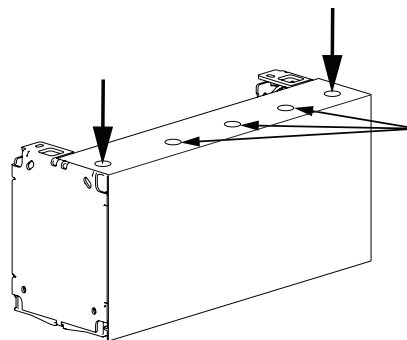
Make sure Brackets are mounted Level or the shade will not roll straight.

## Step 1 Install Brackets (ISM)

If your installation is Inside Mount, Partial Inside Mount, or Ceiling Mount the Fascia and brackets need to be pre-assembled and installed at one time



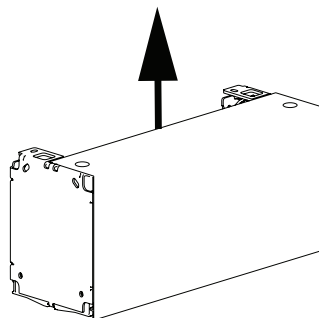
Slide Brackets into Fascia so they lock into the tabs of the Fascia



Additional holes may be drilled in the middle to make installation easier for one person

For **Ceiling Mount** installations holes need to be pre-drilled into the Fascia over the bracket holes for the screws to attach to mounting surface.

Use a 3/16" drill bit



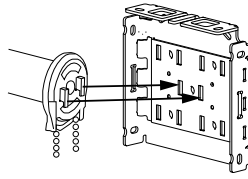
With fascia and brackets assembled and any holes needed pre-drilled, raise assembled Fascia and Brackets into window and attach brackets with appropriate fasteners

Make sure Brackets are mounted Level or the shade will not roll straight.

## Step 2

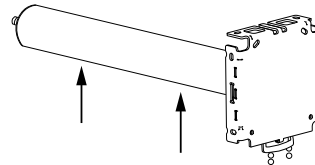
### Install the Shade

#### Step 1



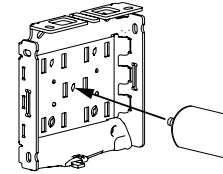
Install the clutch end or motor end of the shade first by inserting the tabs into the holes on the plate of the bracket

#### Step 2



Be sure to support the shade in the middle and not to rest it completely on the tabs of the clutch or motor to avoid damaging them

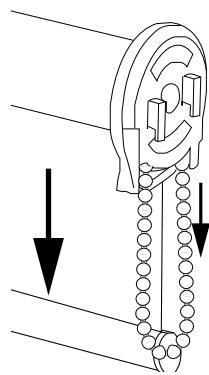
#### Step 3



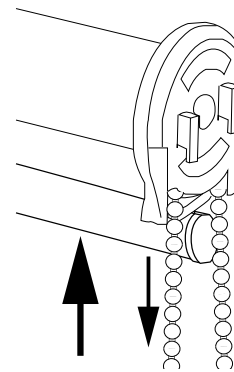
insert the spring loaded pin end of the idler end into the corresponding hole on the opposite bracket

## Step 3

### Operate the Shade



Pull gently on the back side of the chain to lower it.



Pull gently on the front side of the chain to raise it.

Check Shade for proper operation. If shade Skews left or right (does not roll up straight), check that the brackets are level. If brackets are level and the shade still skews, it may require shimming.

(Brackets removed for clarity)

### Shimming

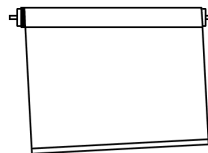
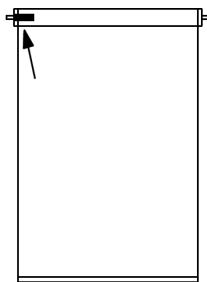


FIGURE A

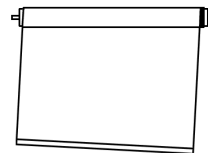
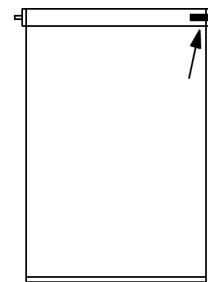


FIGURE B



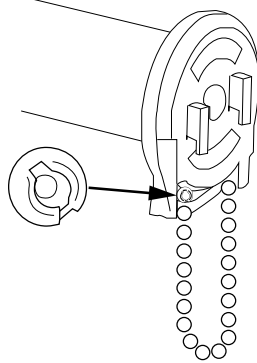
If shade veers toward the right (Fig. A) lower the shade completely and place a 4" strip of masking tape on the roller on the left side. Repeat as necessary until a straight roll is achieved.

If shade veers toward the left (Fig. B) lower the shade completely and place a 4" strip of masking tape on the roller on the right side. Repeat as necessary until a straight roll is achieved.

## Step 4

### Install Chain Stop, Cord Tensioner, Hold Downs

Chain Stops



Lower Shade to desired length.

On the front of the chain directly below the clutch, attach the round stop to the first bead on the chain.

This will prevent the shade from being lowered beyond the desired length.

Repeat for each shade

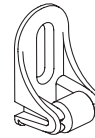
(Brackets removed for clarity)

Cord Tensioners



See Cord Tension Lock installation instructions

Hold Downs

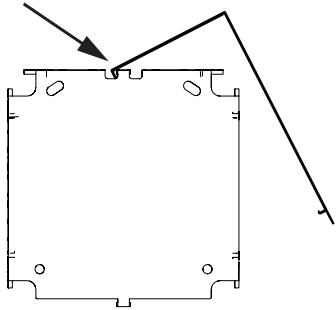


See Hold-Down installation instructions

## Step 5

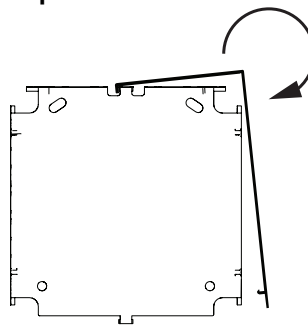
### Install the Fascia for Outside Mount

Step 1



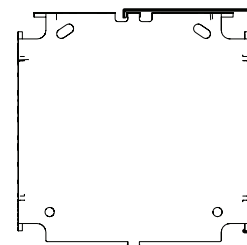
Tilt fascia so that the lip at the top of the fascia can hook onto the top of the bracket

Step 2



Tilt the fascia forward towards the bottom of the bracket

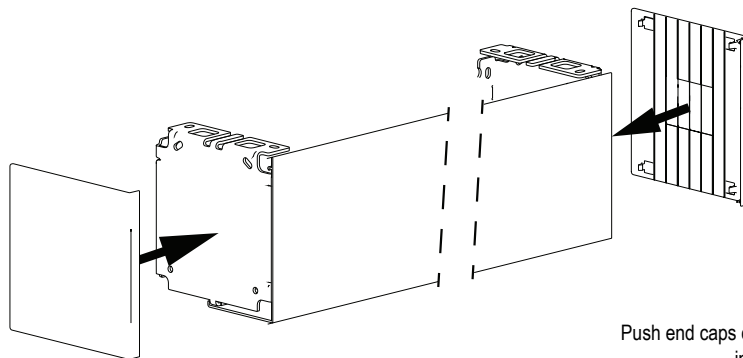
Step 3



Make sure that the fascia snaps into place on the bracket tab

## Step 6

### Install the Bracket Covers for Outside Mount



Push end caps onto brackets and snap into place