

Installation Instructions

Board Mounted Shade and Accu-Rise

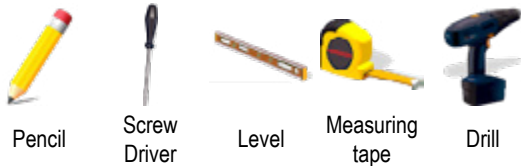
Thank You

Thank you for choosing Genesis Custom Window Shades. With proper installation and care, your new shades will provide many years of beauty and performance.

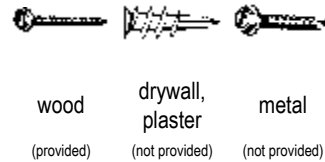
Before Installing

Remove shade from the package. Keep all packaging until shade operates to your satisfaction. Contents of your hardware package may vary depending on options chosen. Additional fasteners may be needed on your specific mounting surface.

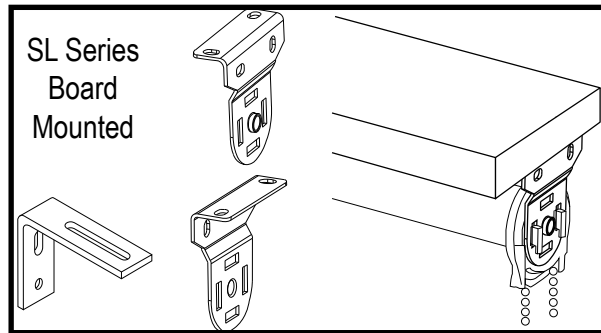
Tools



Fasteners



Your Shade

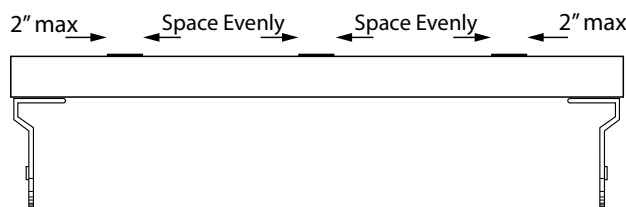


Step 1 Space Brackets in Window

For **Inside Mount** installations, no brackets are necessary. 3" screws are provided to secure shade directly to window opening, but they should still be spaced evenly across the board

For **Outside Mount** installations, brackets are necessary. 1 1/2" screws are provided to secure the bracket to the wall and 3/4" screws are provided to secure the bracket to the board

Measure 2" in from each end of the headrail and mark the bracket location on the mounting surface. Space additional brackets evenly between the end brackets.



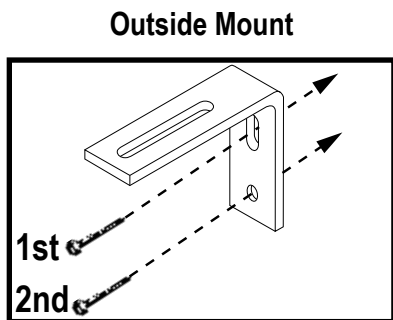
Shade Width	Brackets Required
15" - 48"	2
48 1/16" - 72"	3
72 1/16" - 90"	4
90 1/16" - 120"	5
120 1/16" - 156"	6

Use a Level to make sure the mounting surface is level

Installation Instructions

Step 2 Install Brackets

Once bracket locations are marked on the mounting surface begin installing the brackets



Begin installing the brackets by using the elongated hole first in case any adjustments must be made.

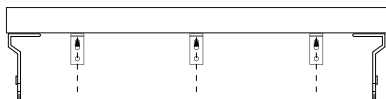
The brackets **must be level** to ensure proper operation of the shade.

Once the brackets are properly aligned use the second, round hole on the bracket to secure to mounting surface

Step 3 Install Board

Once bracket locations are marked on the mounting surface begin installing the brackets

Outside Mount

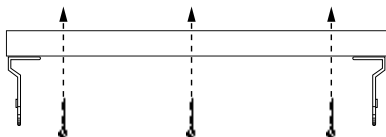


Place board on top of mounted brackets

Adjust shade side to side for optimal window coverage

Place 3/4" screw up from the bottom of the board and into the slotted channel on bracket

Inside Mount



Space screws the same way brackets would be spaced. 2" in from the ends and evenly space the rest needed given your opening width and mark where holes are needed

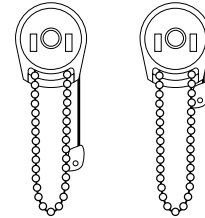
Pre-drill with a 1/8" drill bit

Run screws vertically through board into mounting surface

Installation Instructions

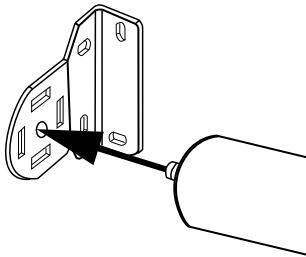
Step 4 Install the Shade

Make sure that the shades are rolled up to the roller before installation



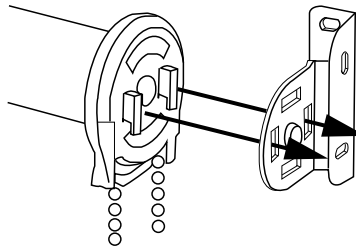
Too Low Correct
Step 3

Step 1



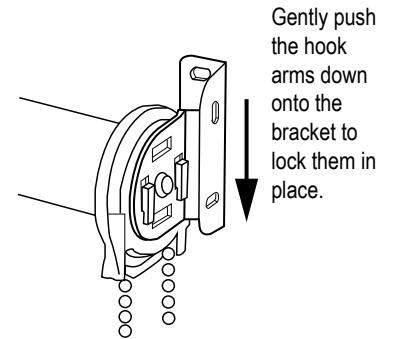
Insert the Spring Loaded Pin end into the round hole in the bracket

Step 2



Keeping the pin end in the bracket, insert the Hook Arms on the clutch straight into the receiving slots on the bracket.

The bottom of the clutch should always point down.

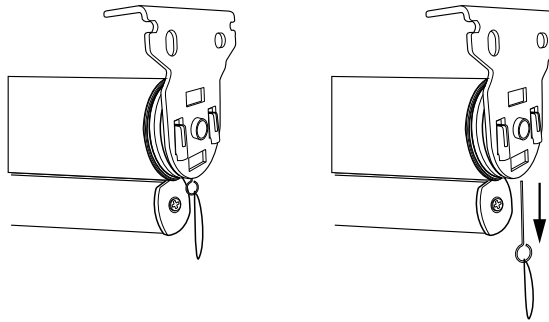


Gently push the hook arms down onto the bracket to lock them in place.

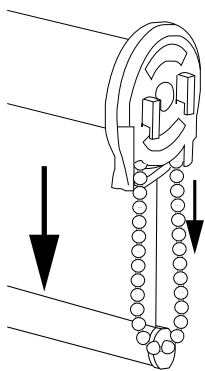
CAUTION: DO NOT remove the retainer pin before shade is fully installed and seated in brackets

Accu-Rise

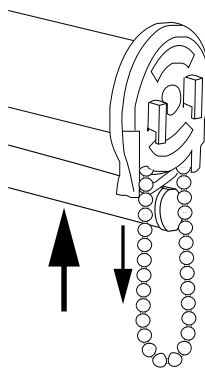
Remove retainer pin after shade is fully installed and the hook arms are fully seated in the bracket.



Step 5 Operate the Shade

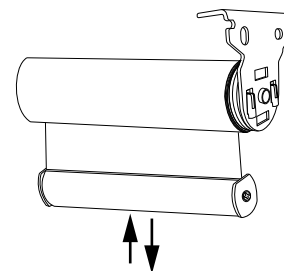


Pull gently on the back side of the chain to lower it.



Pull gently on the front side of the chain to raise it.

Accu-Rise



Pull Accu-Rise shade gently from the center of the shade to lower it. Push up from center to raise it.

Check Shade for proper operation. If shade Skews left or right (does not roll up straight), check that the brackets are level. If brackets are level and the shade still skews, it may require shimming.

Installation Instructions

Shimming

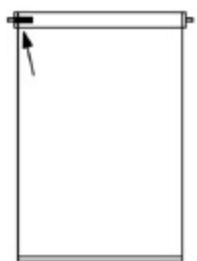


FIGURE A

If shade veers toward the right (Fig. A) lower the shade completely and place a 4" strip of masking tape on the roller on the left side. Repeat as necessary until a straight roll is achieved.

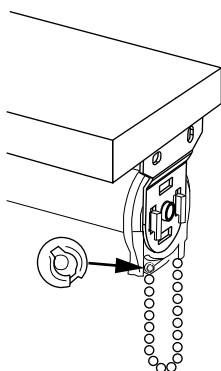


FIGURE B

If shade veers toward the left (Fig. B) lower the shade completely and place a 4" strip of masking tape on the roller on the right side. Repeat as necessary until a straight roll is achieved.

Step 6

Chain Stop, Cord Tension Lock, Hold Downs



Lower Shade to desired length.

On the front of the chain directly below the clutch, attach the round stop to the first bead on the chain.

This will prevent the shade from being lowered beyond the desired length.

Cord Tension Lock



See Cord Tension Lock installation instructions

Hold Downs



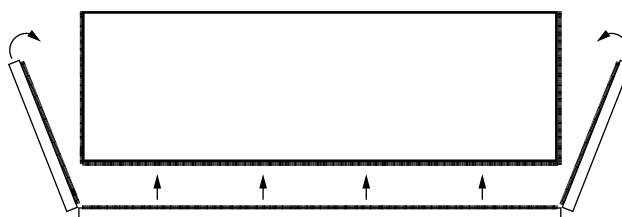
See Hold-Down installation instructions

Step 7

Attach Valance

Attach valance to velcro on headrail

Make sure to line top of valance up with top of board



For Valances with returns simply rotate them onto the velcro on the ends of the board after the front is attached