

Installation Instructions

Small Cassette, Modern, Modern Plus,
and Large Cassette



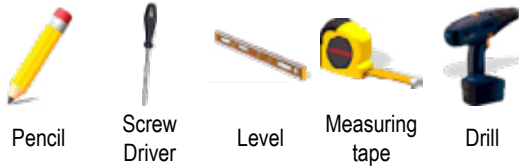
Thank You

Thank you for choosing Genesis Custom Window Shades.
With proper installation and care, your new shades will provide many years of beauty and performance.

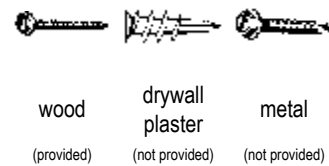
Before Installing

Remove shade from the package. Keep all packaging until shade operates to your satisfaction.
Contents of your hardware package may vary depending on options chosen.
Additional fasteners may be needed on your specific mounting surface.

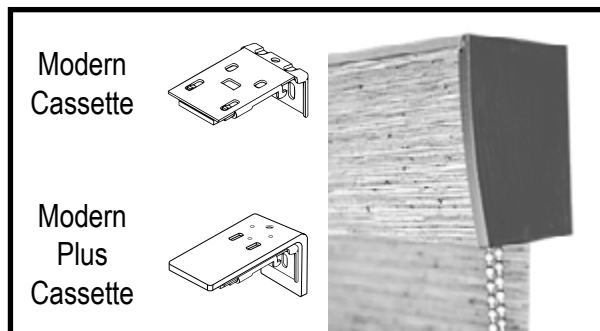
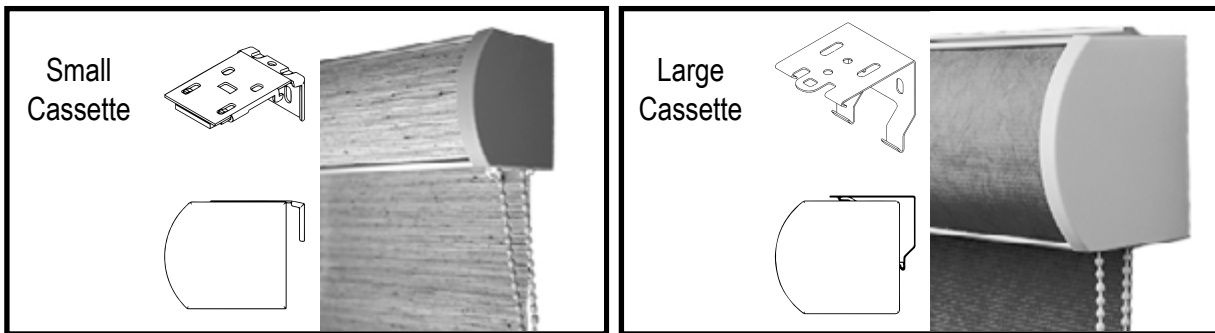
Tools



Fasteners



Your Shade



Installation Instructions

Step 1 Space Brackets in Window

Measure 2" in from each end of the headrail and mark the bracket location on the mounting surface. Space additional brackets evenly between the end brackets.

2" Max ← → Space Evenly ← → Space Evenly ← → 2" Max



If spacer blocks are being used, place in between mounting surface and bracket before attaching with screws

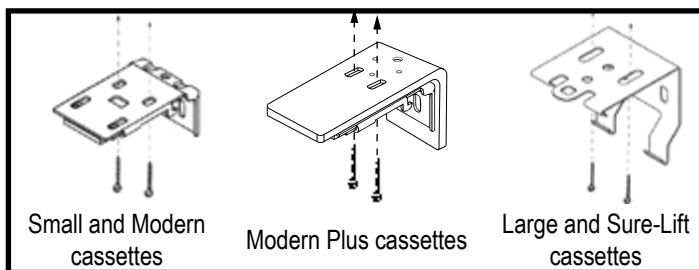
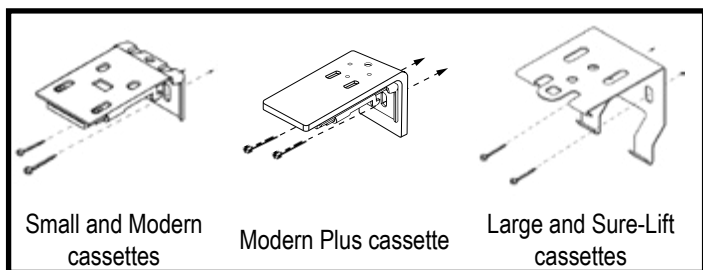
Shade Width	Brackets Required	2-on-1 Headrail
15" - 48"	2	If using 2-On-1 headrail option, a center bracket is required at center gap.
48 1/16" - 72"	3	
72 1/16" - 90"	4	
90 1/16" - 120"	5	
120 1/16" - 156"	6	

Step 2 Install the Brackets

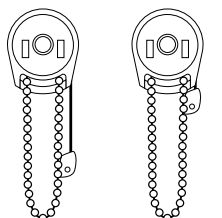
Use two screws (and appropriate fasteners if needed) to attach each installation bracket to the top of the window. Brackets **must** be level and aligned.

Outside Mount

Inside Mount



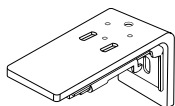
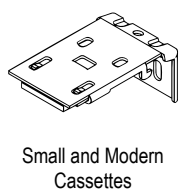
Step 3 Install the Shade



Too Low Correct

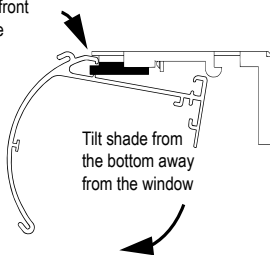
Make sure that the shades are rolled up to the roller before installation

Small, Modern and Modern Plus Cassettes



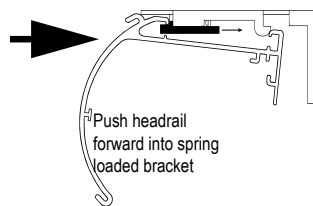
Modern Plus cassette

Insert the spring loaded tab on the bracket into the front groove on the top of the headrail

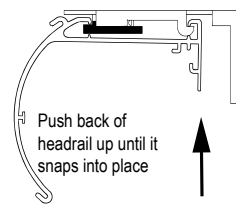


Tilt shade from the bottom away from the window

*headrails shown from side without shade or end caps.



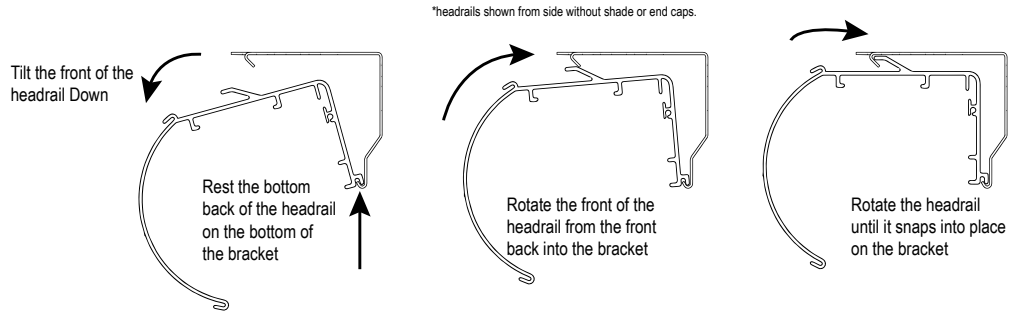
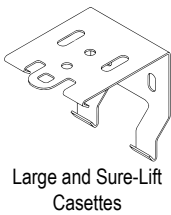
Push headrail forward into spring loaded bracket



Push back of headrail up until it snaps into place

Installation Instructions

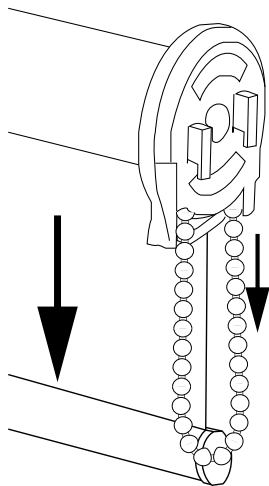
Large and Sure-Lift Cassettes



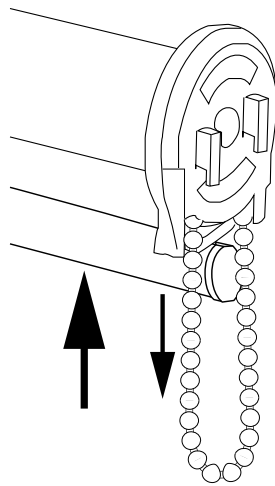
Important: After Cassettes are installed check Each Bracket to make sure they are properly installed and the Cassette is properly seated to ensure proper operation

Step 4 Operate the Shade

Check Shade for proper operation. If shade Skews left or right (does not roll up straight), check that the headrail is level. If headrail is level and the shade still skews, it may require shimming.

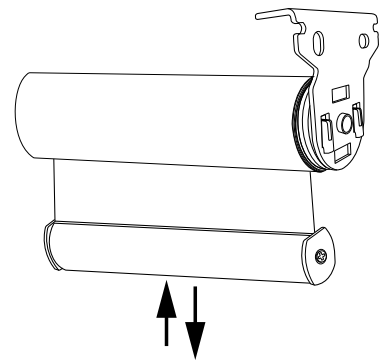


Pull gently on the back side of the chain to to lower it.



Pull gently on the front side of the chain to to raise it.

Accu-Rise

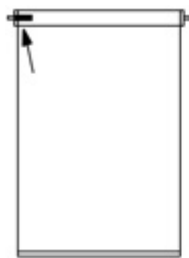


Pull Accu-Rise shade gently from the center of the shade to lower it. Push up from center to raise it.

Cassette not shown for clarity

Installation Instructions

Shimming



If shade veers toward the right (Fig. A)



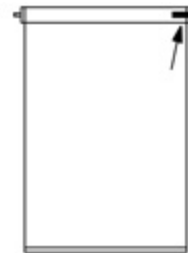
FIGURE A

Lower the shade completely and place a 4" strip of masking tape on the roller on the left side. Repeat as necessary until a straight roll is achieved.



FIGURE B

If shade veers toward the left (Fig. B)

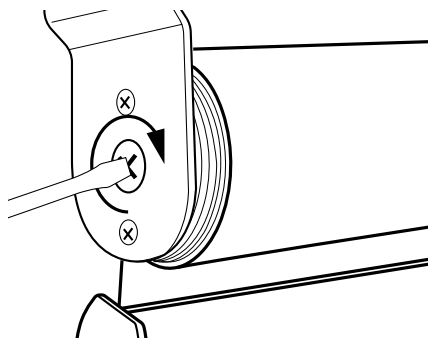


Lower the shade completely and place a 4" strip of masking tape on the roller on the right side. Repeat as necessary until a straight roll is achieved.

EZ Lift

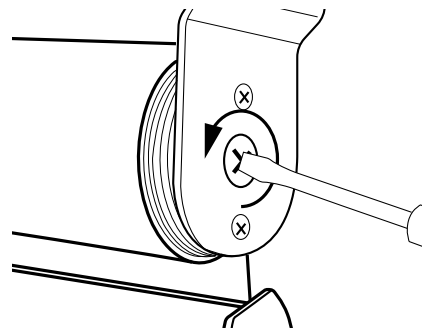
Adjust Tension

Remove any Bracket Covers and locate Control Side



If control side is on the left, the tension is set Counter Clockwise

Start with a Quarter Turn and then raise and lower to check tension until proper tension is achieved



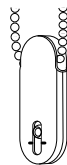
If control side is on the right, the tension is set Clockwise

Start with a Quarter Turn and then raise and lower to check tension until proper tension is achieved

Step 5

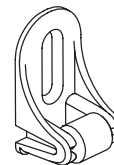
Install Cord Tensioner, Hold Downs

Cord Tension Lock



See Cord Tension Lock installation instructions

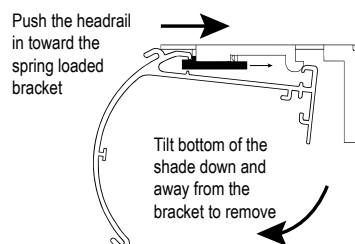
Hold Downs



See Hold-Down installation instructions

Shade Removal

Small and Modern Cassettes



Large and Sure-Lift Cassettes

