

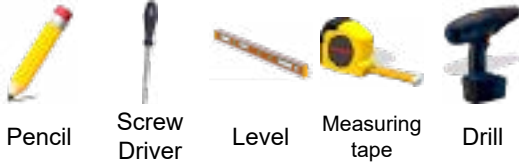
Thank You

Thank you for choosing Genesis Custom Window Shades. With proper installation and care, your new shades will provide many years of beauty and performance.

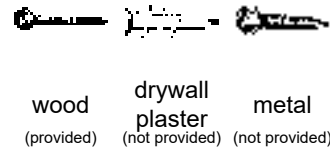
Before Installing

Remove shade from the package. Keep all packaging until shade operates to your satisfaction. Contents of your hardware package may vary depending on options chosen. Additional fasteners may be needed on your specific mounting surface.

Tools

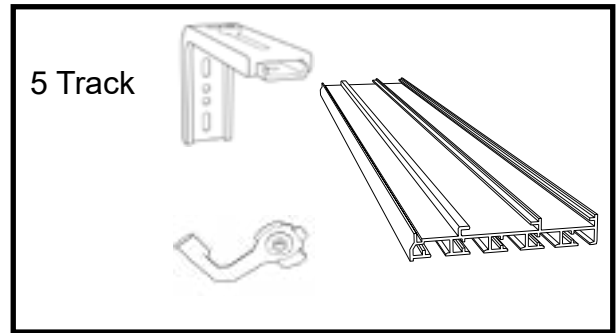
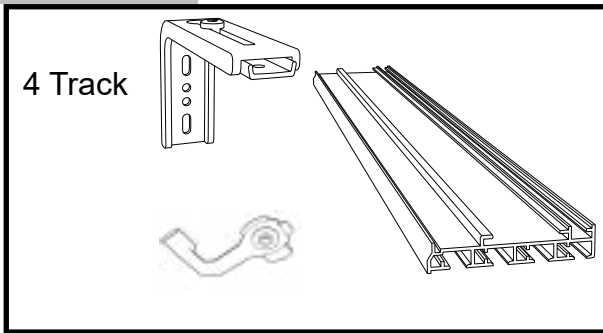


Fasteners



All bracket mounting screws must screw into wood. If the installation requires mounting the brackets to a surface other than wood, be sure to use the appropriate fastener

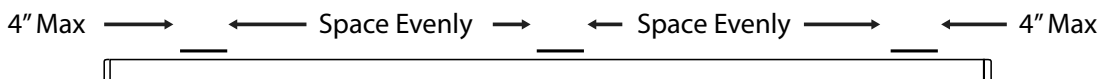
Your Track



Step 1 Space Brackets in Window

Shade Width	Brackets Required
Up to - 36"	2
36 1/16" - 72"	3
72 1/16" - 104"	4
104 1/16" - 130"	5
130 1/16" - 144"	6
144 1/16" - 182"	7
182 1/16" - 192"	8

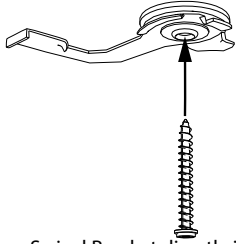
Center track in opening. Measure 4" in from each end of the headrail and mark the bracket location on the mounting surface. Space additional brackets evenly between the end brackets.



Step 2 Install Brackets

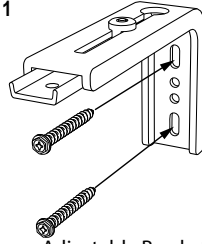
Make sure that the Brackets are level and in a straight line

Inside Mount



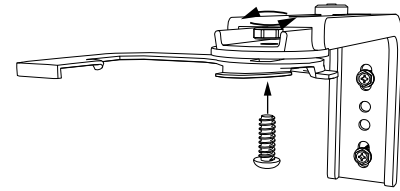
Screw Swivel Bracket directly into mounting surface

Outside Mount Step 1



Screw Adjustable Bracket to mounting surface using two screws

Step 2

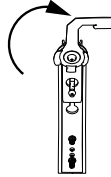


Push Pan Head Bolt through the Swivel Bracket and Adjustable Bracket and secure with the Nut provided

Step 3 Install Track

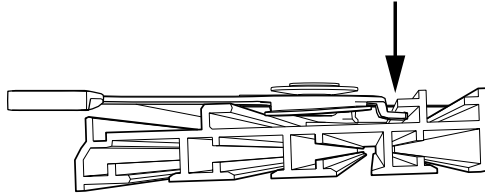
Outside Mount

Step 1



Make sure brackets are in open position

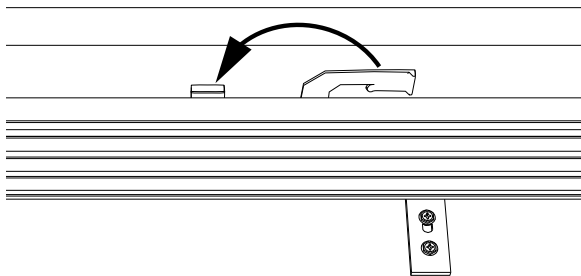
Step 2



Rest track on the back of the Cam Bracket before closing brackets

Starting with any brackets in the center and working outwards eases installation for one person

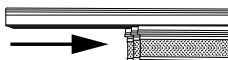
Step 3



rotate Cam Bracket arm counter-clockwise until fully seated against track to lock in

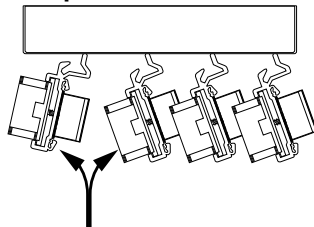
Step 4 Install Panels

Step 1



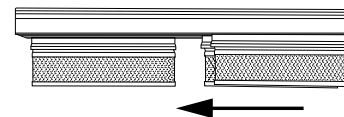
Slide all Panel Carriers to one side to ease installation

Step 2



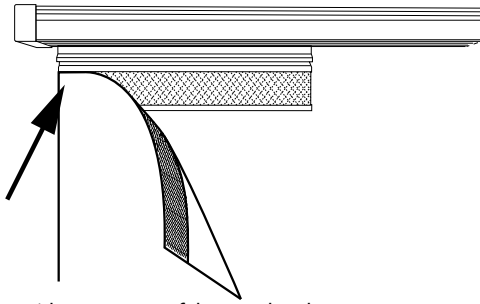
Separate the Carriers by pushing back on one and forwards on the rest to clear the Carrier's catches

Step 3



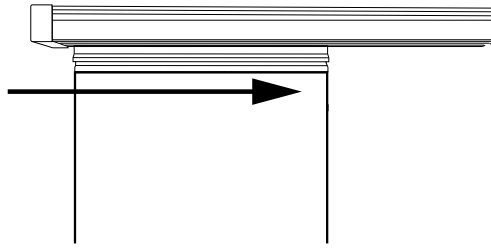
With the Pannel Carrier isolated begin to install panels

Step 4



Start with one corner of the panel and line up with the Carrier's corner

Step 5

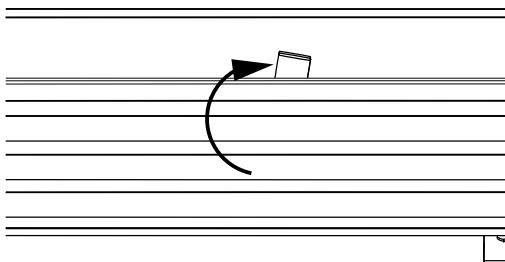


Press down on the Panel all the way across and ensure it lines up level with the Carrier

Repeat steps for each panel and then reverse steps to return Carriers to original position for proper operation

Step 6 Install Valance

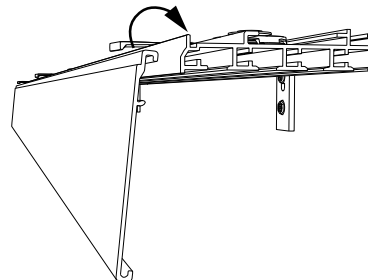
Step 1



Rotate Cam Brackets Clockwise an 8th of a turn to make room for the valance

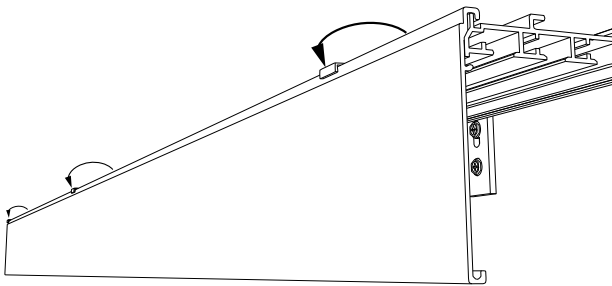
Turning too much will release the track from brackets causing it to fall

Step 2



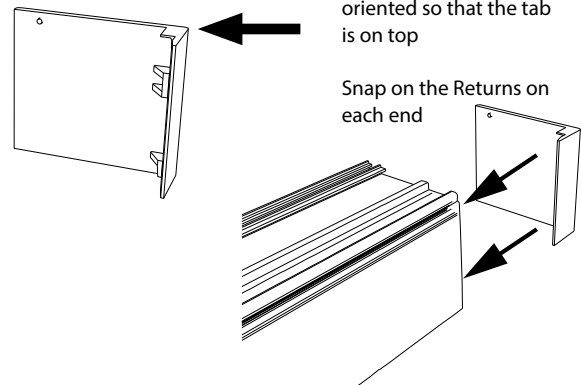
Raise valance up to track and rest the top lip of the Valance on the track

Step 3



Rotate Cam Brackets counter-clockwise to lock in the valance and the track

Step 4

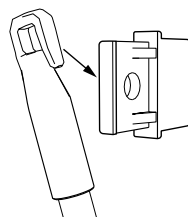


Make sure the Return is oriented so that the tab is on top

Snap on the Returns on each end

Step 7 Wand

Wand



Hook the Wand into the outside front Panel Carrier