

### Panel Drape, Board Mount Panel Drape

#### Thank You

Thank you for choosing manh truc panel drape.  
With proper installation and care, your new drape will provide many years of beauty and performance.

#### Before Installing

Remove drape from the package. Keep all packaging until shade operates to your satisfaction. Contents of your hardware package may vary depending on options chosen.  
Additional fasteners may be needed on your specific mounting surface.

#### Tools Needed



Pencil



Screw Driver



Level



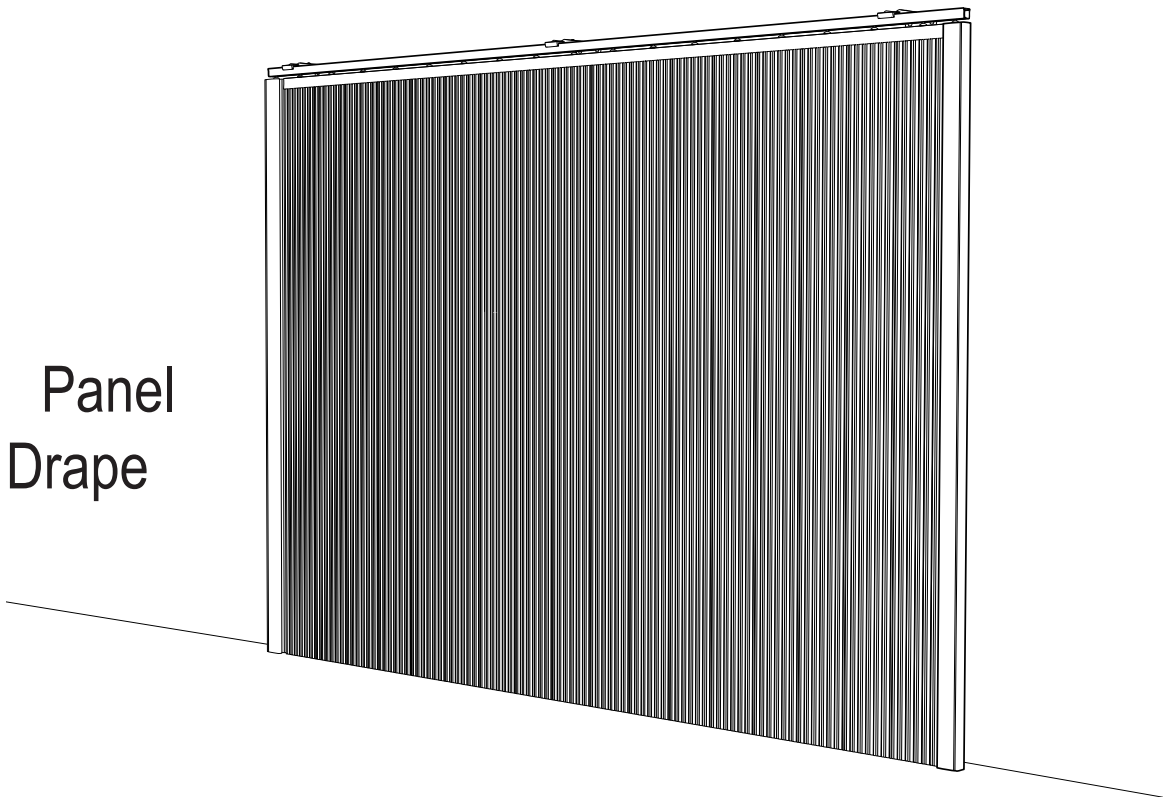
Measuring tape



Drill

Shade Width	Brackets Required
Up to - 66"	3
66 1/6" - 96"	4
96 1/6" - 120"	5

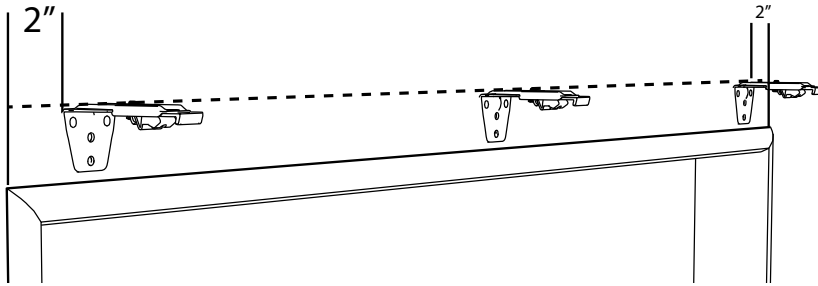
Panel  
Drape



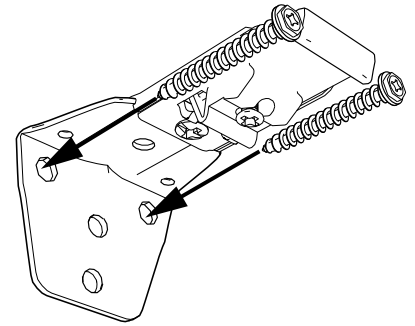
# Outside Mount Installation

## OSM Step 1 Install Brackets

Find your desired height and make a level line down the mounting surface

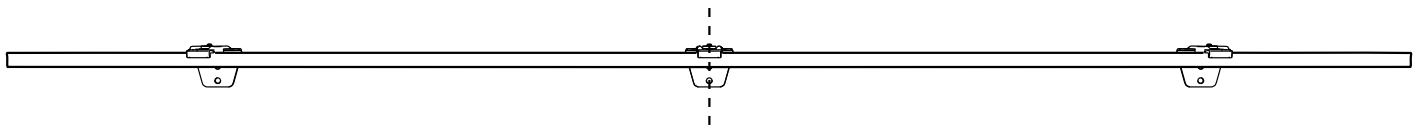


Measure in 2" from each end for your first and last bracket and Evenly space remaining brackets between them



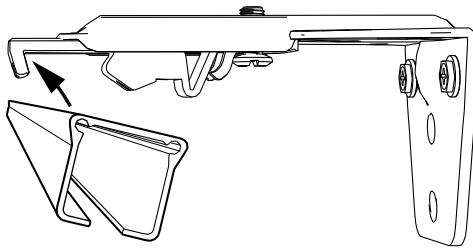
Make sure brackets are level and aligned  
Use screws to attach to mounting surface

## OSM Step 2 Install Track

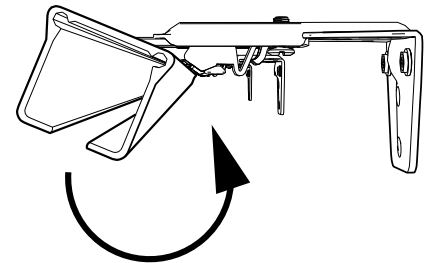


center Track in window opening

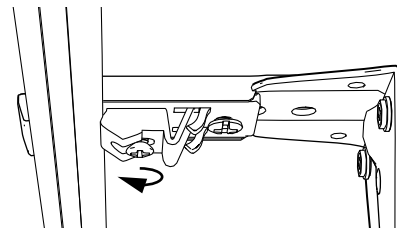
Insert the front edge of the track into the metal hook of the Bracket



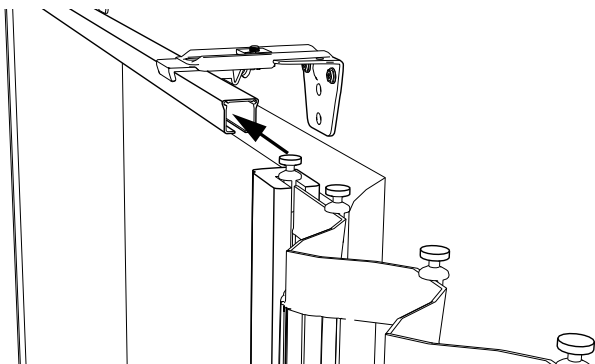
Rotate track up into the plastic part of the bracket until it snaps into place



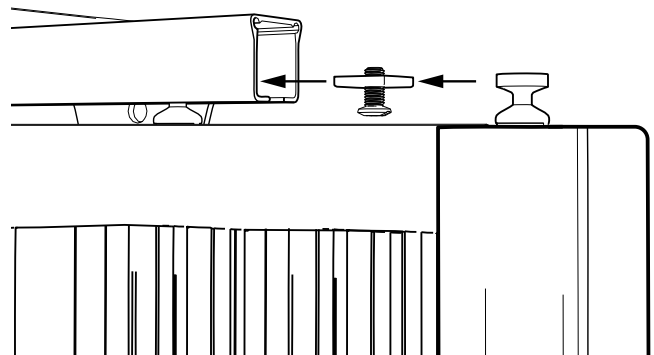
With the track fully seated in the brackets and centered in the window opening: tighten the screw to lock the track in place



## OSM Step 3 Install Drape



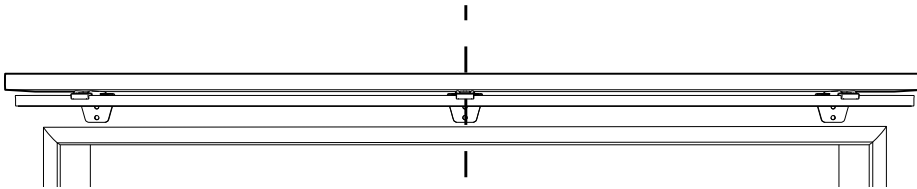
With the front face of the Drape facing the room side, begin loading carriers onto track



On the side to remain stationary add the Locking Nut before the last carrier on that end

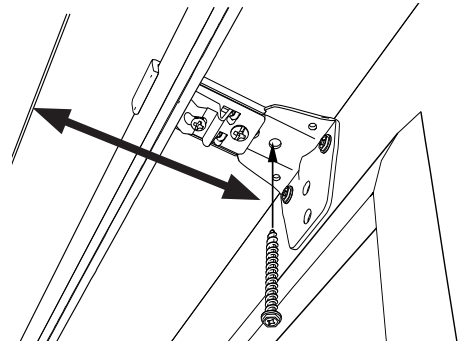
## OSM Step 4 Install Board (if Board Mount)

Center the board on the brackets



(valance removed for clarity)

Make any projection adjustments needed before attaching

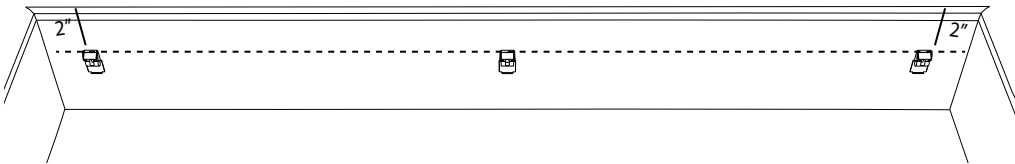


Use a screw through the hole in Bracket to attach

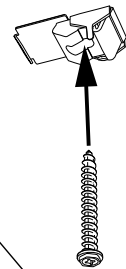
## Inside Mount Installation

### ISM Step 1 Install Brackets

Measure in your depth and keep brackets in a straight line



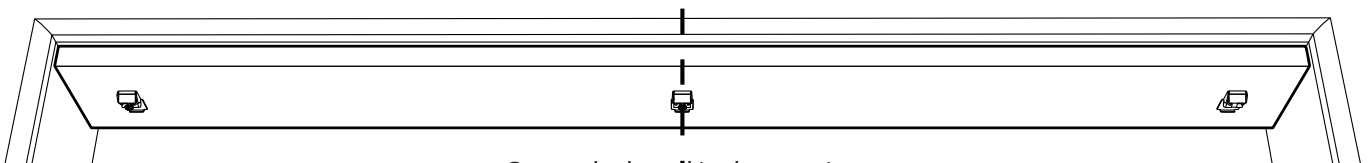
Measure in 2" from each end for your first bracket and Evenly space remaining brackets between them



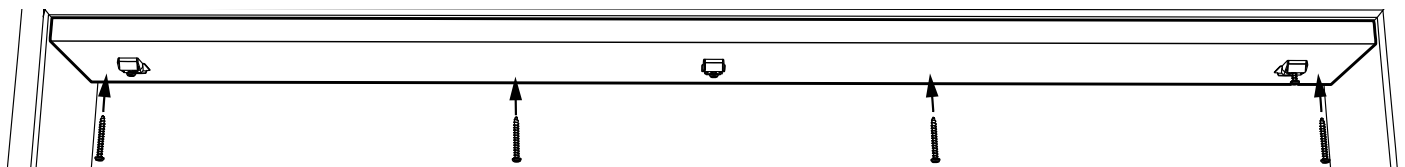
Make sure brackets are level and aligned  
Use screws to attach to mounting surface

### ISM Step 2 Install Board (if Board Mount)

Do not tighten screw all the way yet



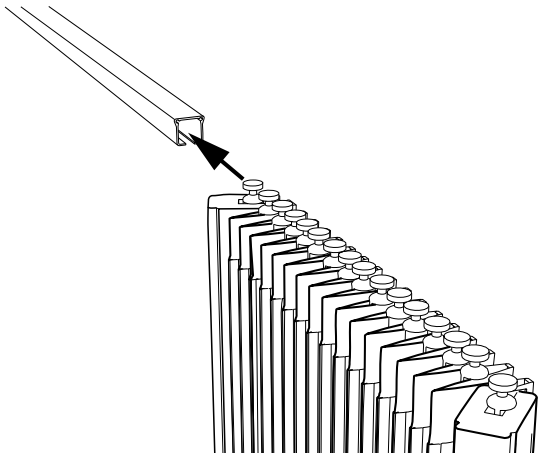
Center the board in the opening



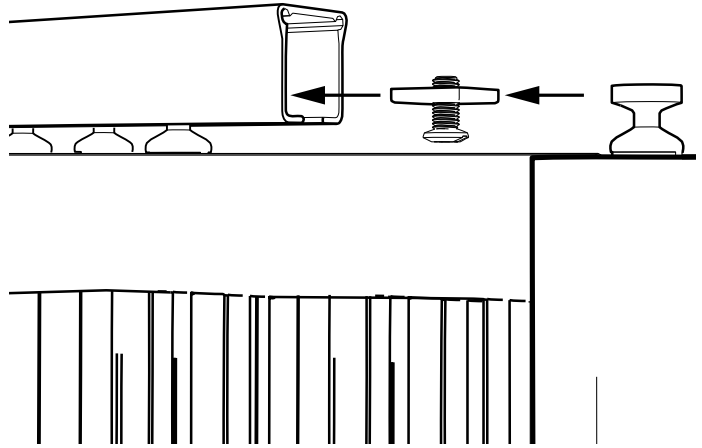
Attach board to mounting surface with Screws evenly spaced from underneath

(valance removed for clarity)

**ISM** Step 3 Install Drape

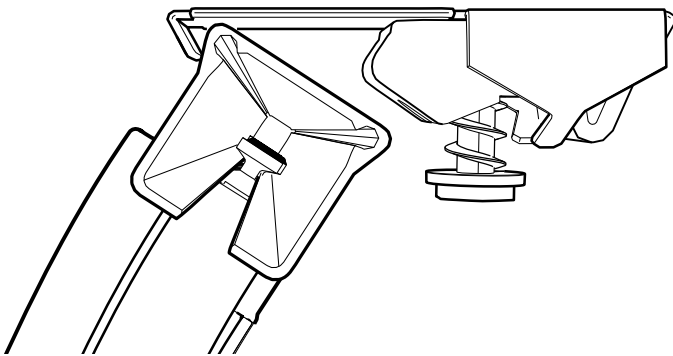
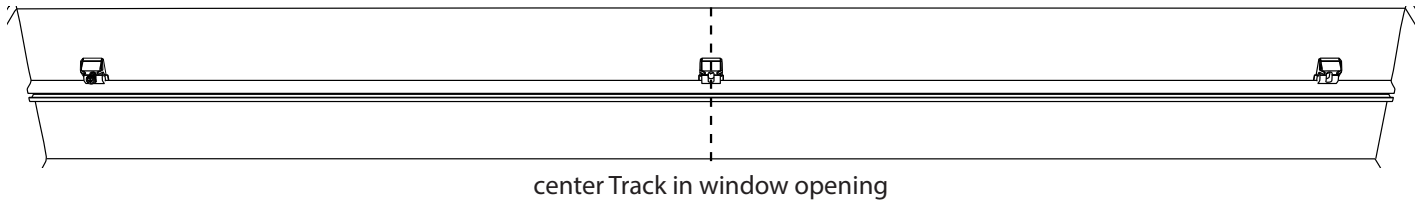


Carefully slide Panel Drape carriers into track

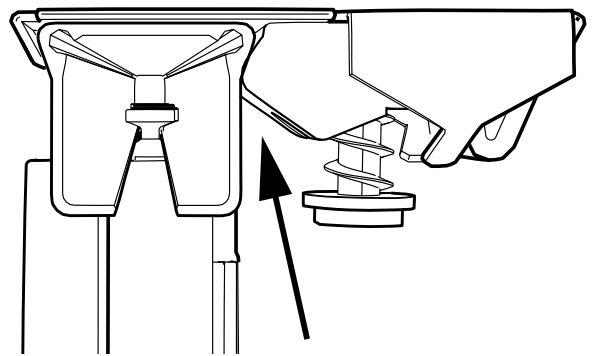


On the side to remain stationary add the Locking Nut before the last carrier on that end

**ISM** Step 4 Install Track

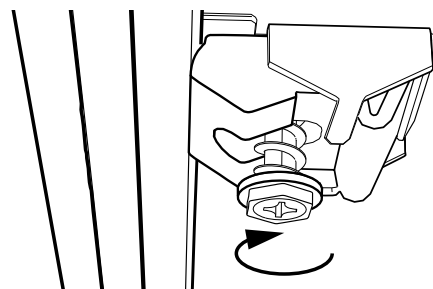


Insert front edge of the track into the metal hook of the Bracket

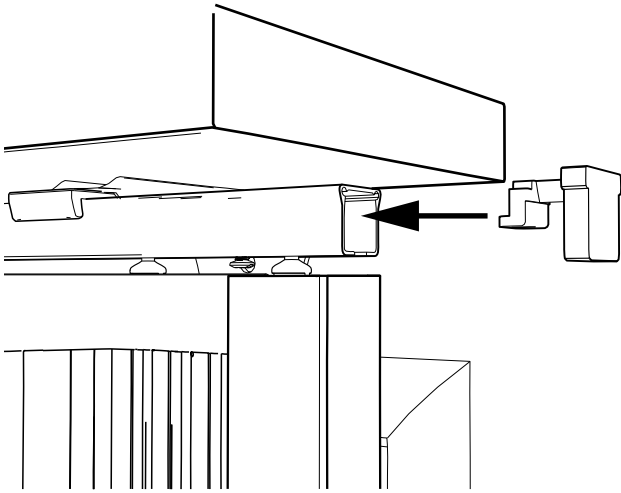


Rotate track up into the plastic part of the bracket until it snaps into place

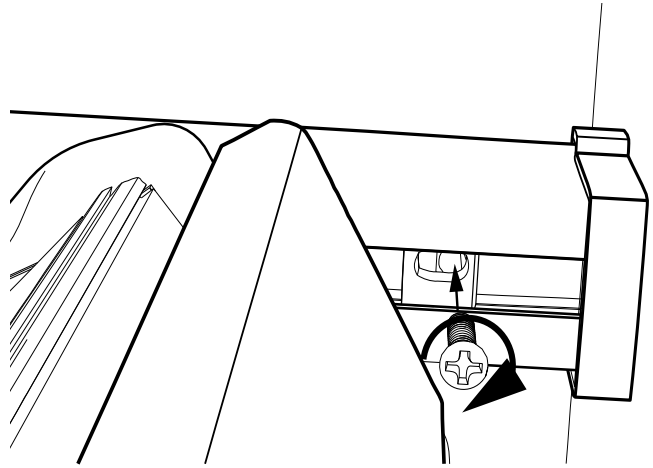
With the track fully seated in the brackets and centered in the window opening; tighten the screw to lock the track in place



Follow these directions for both **ISM** and **OSM** installations

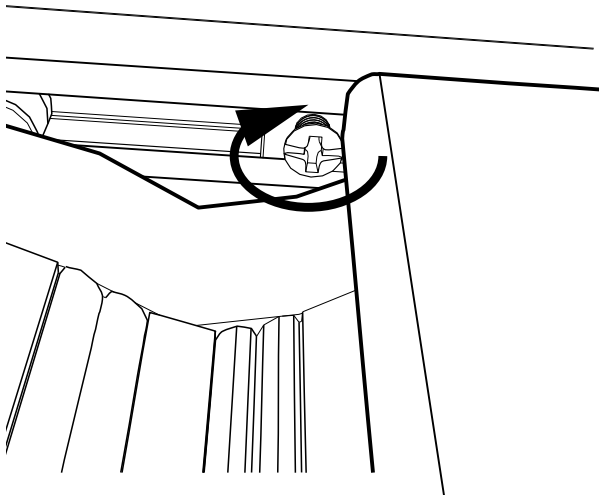


Slide the End Cap into the Rail  
after the last carrier is loaded



Move the Drape out of the way and  
insert screw into the hole of the end cap.

Repeat on other side



Slide Locking Nut up against the  
final carrier so that it doesn't move

Tighten the screw to lock  
the carrier in place