

## Installation Instructions

### Woven Wood Shades

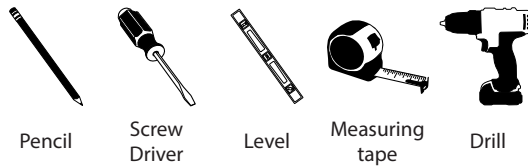
#### Thank You

Thank you for choosing your Manh Truc® shades  
With proper installation and care, your new blinds will provide many years of beauty and performance.

#### Before Installing

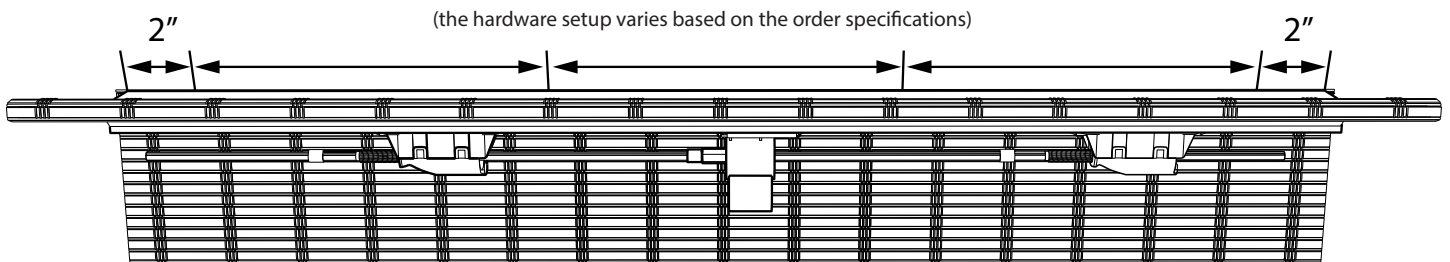
Remove blind from the package. Keep all packaging until blind operates to your satisfaction. Contents of your hardware package may vary depending on options chosen.  
Additional fasteners may be needed on your specific mounting surface (not included).

#### Tools Needed



### 1 Determine Bracket Location

Measure 2" in from each end of the headrail and mark location for a bracket or screw while avoiding hardware, cords, or vertical strings



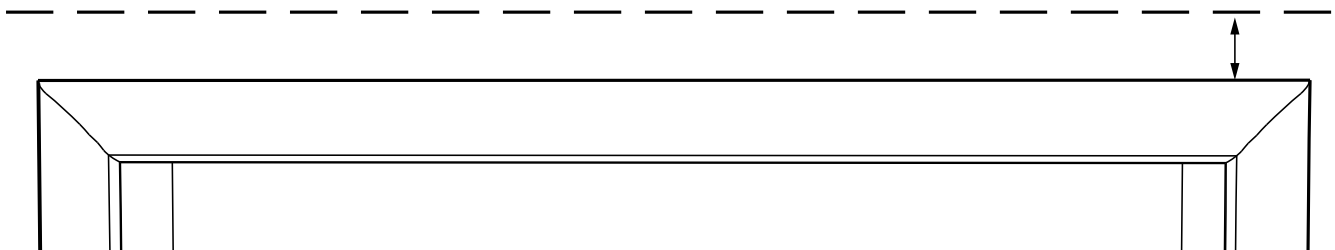
Evenly space remaining brackets or screws without interfering with hardware, cords, or vertical strings

Mark the location using the bracket as a guide and pre-drill holes

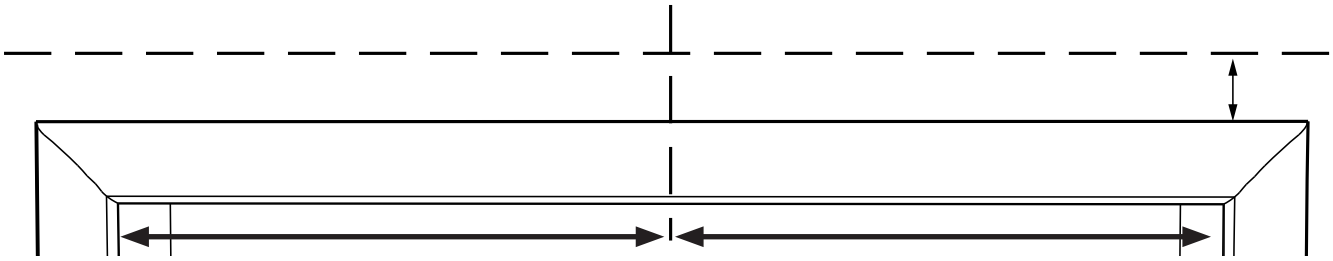
**INSIDE MOUNT:** No brackets are required, but screws must not interfere with moving parts or cords

#### **OUTSIDE MOUNT:**

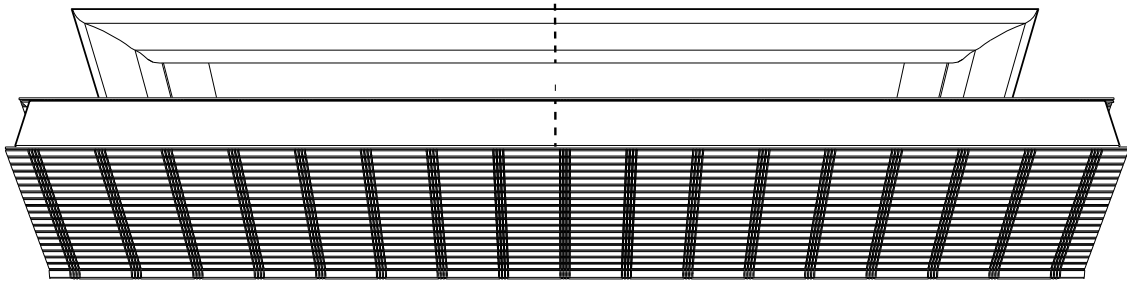
Determine height placement of blind and make a level line



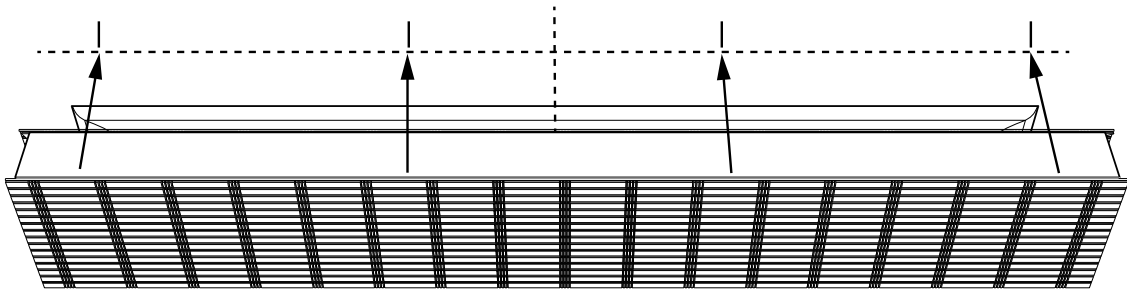
Find the center of the window opening and mark the location on your height line



Find the center of your Shade center in the Window Opening

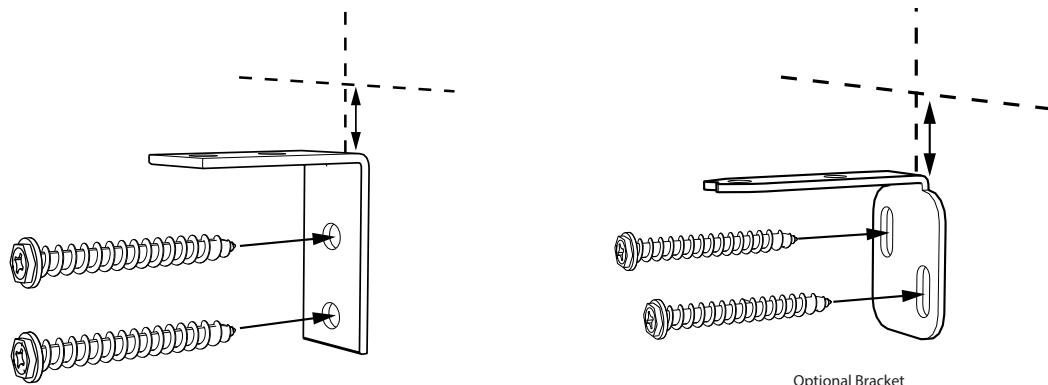


Use Marks made in previous step to transfer to the Level Line at the height you want the shade

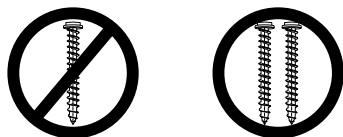


## 2 Install Brackets

Place the brackets below the line at a distance equal to the height of the headrail. This will ensure that the top of the headrail aligns with the line at the measured height

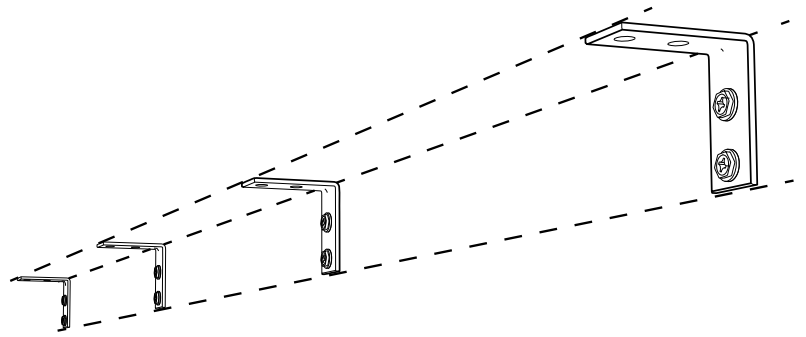


Install the Brackets with 2 screws into the mounting surface



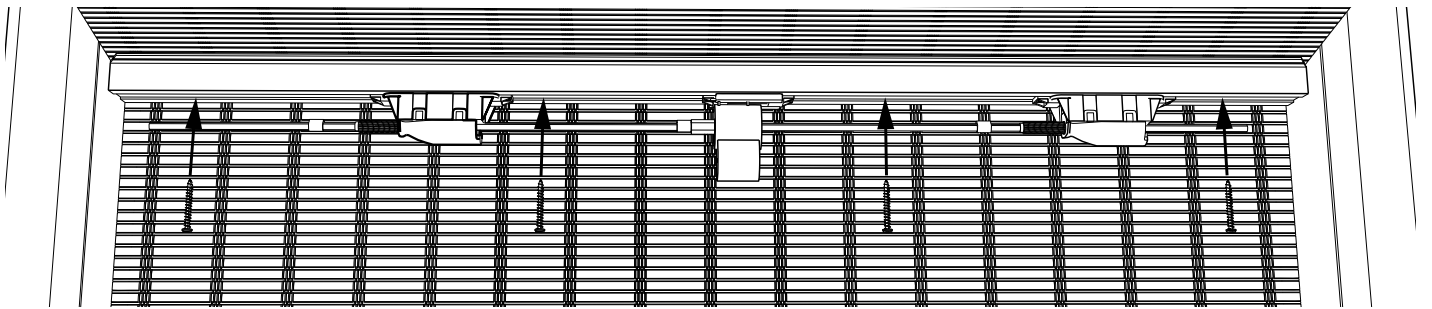
**IMPORTANT:** Two screws are needed to attach each installation bracket

**IMPORTANT:** Brackets must be Level and Aligned



### 3 Install Shade

#### INSIDE MOUNT

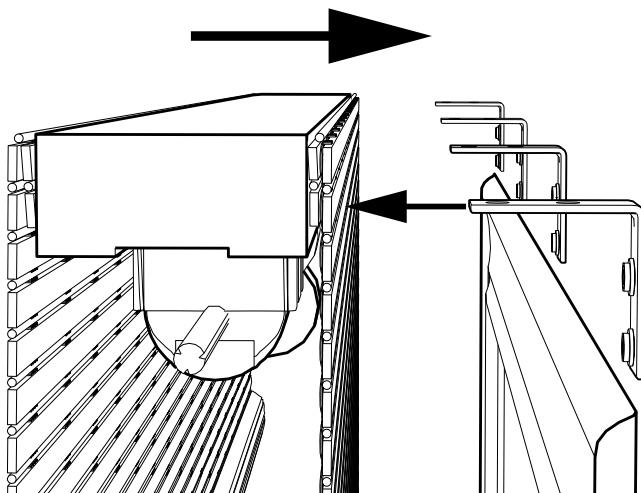


Screw directly into board and up into the Head Jamb

**IMPORTANT:** Be careful not to interfere with hardware or cords

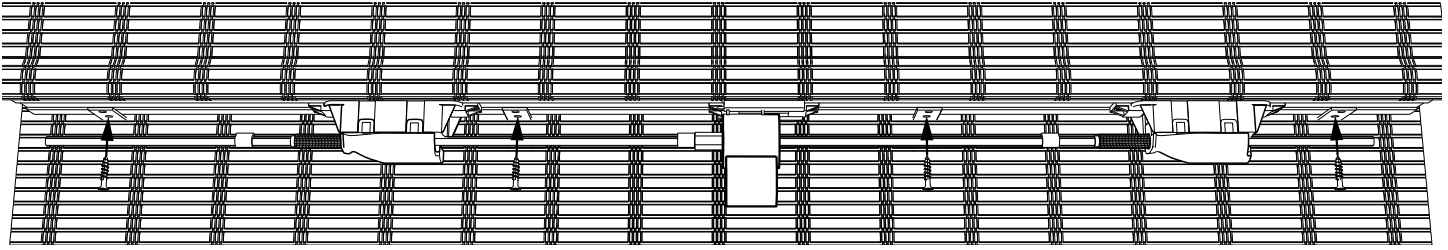
#### OUTSIDE MOUNT

Center shade in window opening and slide back onto brackets



It may be necessary to cut material or liner to get the bracket through

Make a small incision in the material or liner, just big enough to accommodate the bracket being careful not to cut cords or vertical strings



Secure headrail to brackets using provided screws from underneath

**IMPORTANT:** Be careful not to interfere with hardware or cords

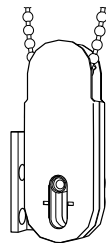
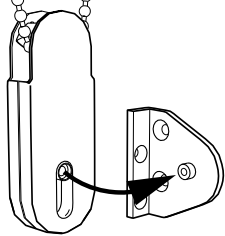
## 4 Install Cord Tensioner

**Installers MUST INSTALL Cord Tension Lock Properly**

### Mark Mounting Position

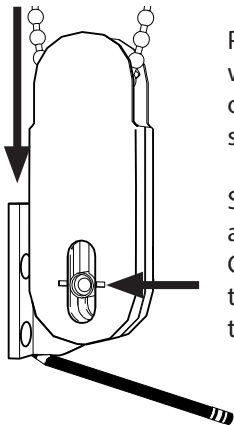
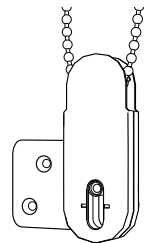
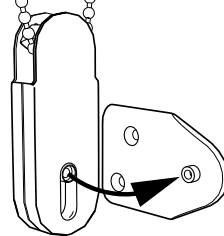
Lower shade to make sure the Cord Tension Lock is not placed in the path of the bottom rail or fabric

#### Outside Mount



Insert the nub of the Bracket into the Tensioner Center Hole

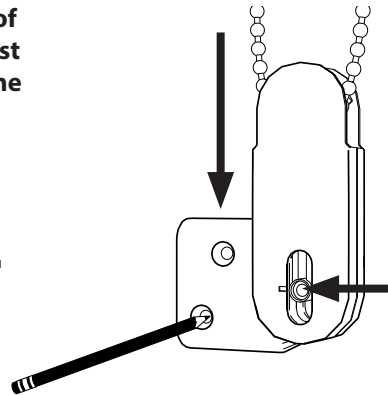
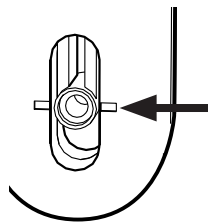
#### Inside Mount



Pull the Chain taut with the Bracket on the mounting surface

Slide the Bracket and the Tensioner Center down to the Guide Lines on the Cord Tensioner

**The Center Hole of the Tensioner must be aligned with the guide lines**



While holding the lock firmly in place, check that the loop can move freely through the Tensioner

Mark the bracket's location on the mounting surface

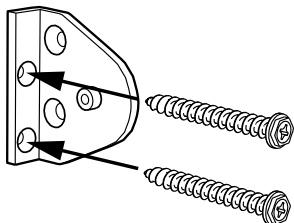
### If the Bracket is not Aligned properly:

If the Tensioner locks onto the loop, it is too loose and the bracket and lock should be **moved down**

If the loop does not run freely through the lock, it is too tight and the bracket and lock should be **moved up**

### Attach the Bracket to Mounting Surface

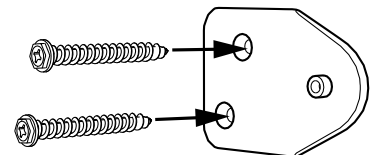
#### Outside Mount



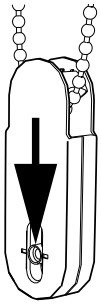
Use the marks to position the brackets on the mounting surface

Move Tensioner out of the way and attach to Mounting Surface with the Two Longer Screws provided

#### Inside Mount



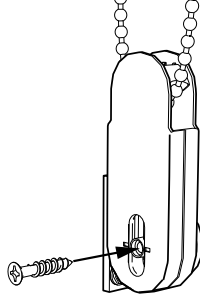
## Attach the Cord Tension Lock to Bracket



Pull the Tensioner's spring loaded Slider down to the bracket

a small tool may be helpful in moving the slider

### Outside Mount

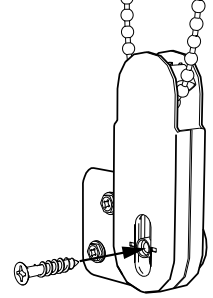


Make sure the Tensioner's Center Hole is seated on the nub of the bracket

Use the small screw to attach Tensioner

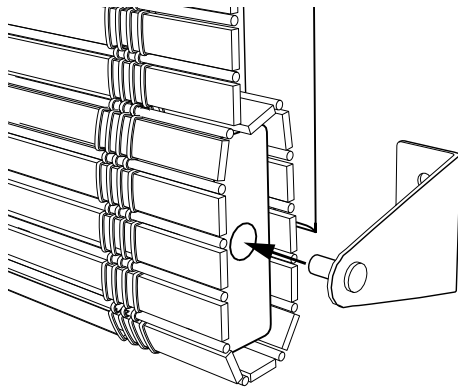
**Do not Overtighten**

### Inside Mount



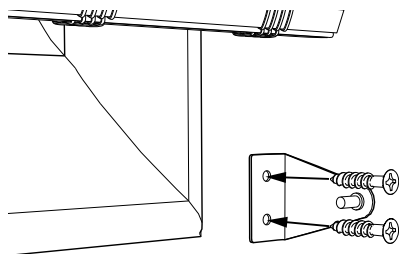
**IMPORTANT:** the Tension Lock must be properly installed and secured

## 5 Install Hold Down (optional)



Lower shade fully and insert Hold Down bracket into the hole in the bottom rail

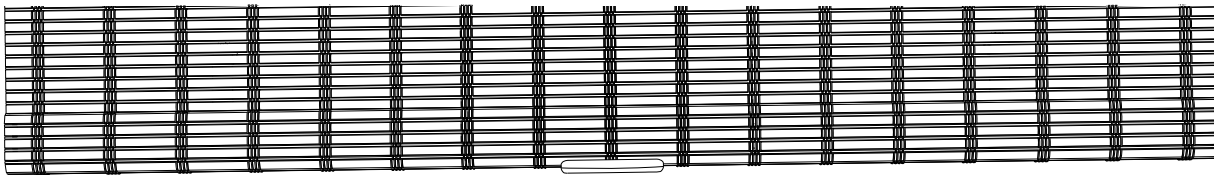
Mark position of the Hold Down Bracket



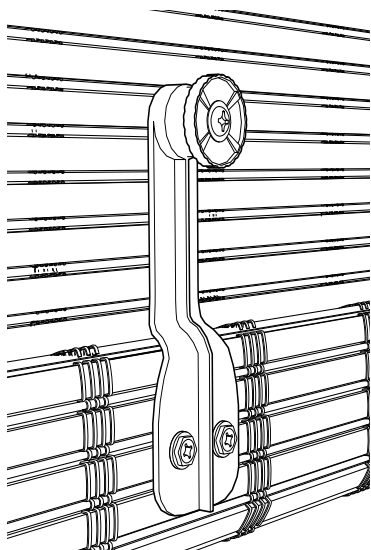
Attach to mounting surface using 2 screws

## ADJUST ACCU-RISE BOTTOM

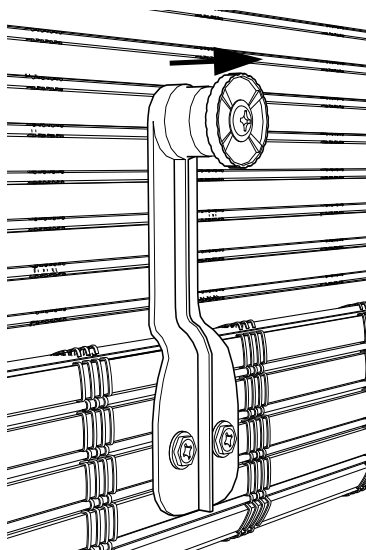
Adjustments can be made on Accu-Rise shades if your bottom is not hanging level



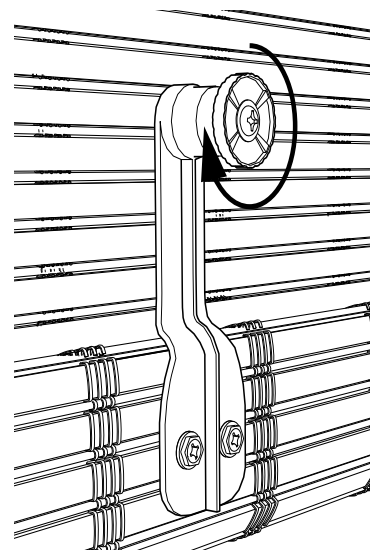
Locate the low end of the shade and start adjustments on that end



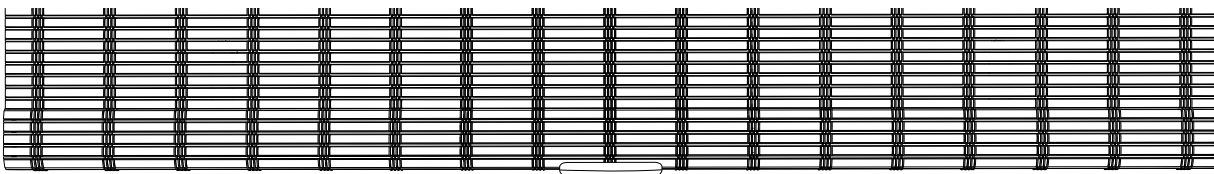
The height adjustment knob is located on the back of the shade



Pull the knob out to start adjusting

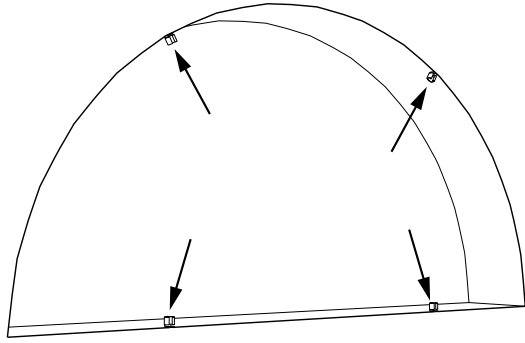


Twist to pull to pull cord into the Adjustment Knob to shorten

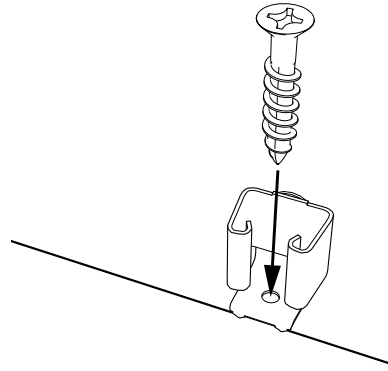


Continue adjusting until the shade is level, making sure not to shorten it excessively

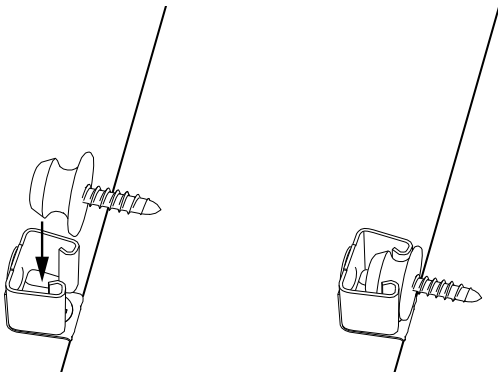
# ARCH INSTALLATION



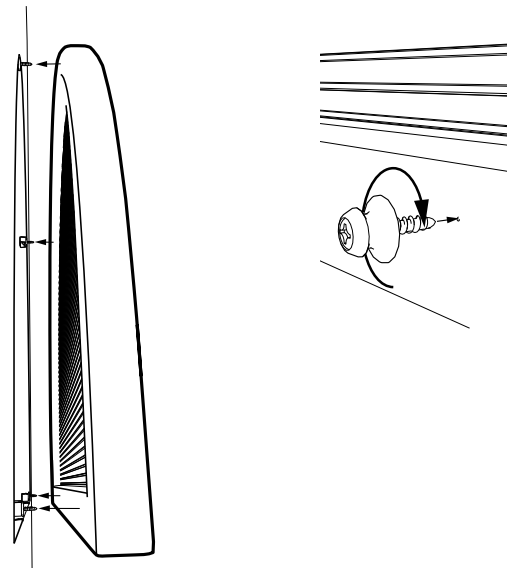
Evenly distribute Arch Button Catches around window opening and mark their location



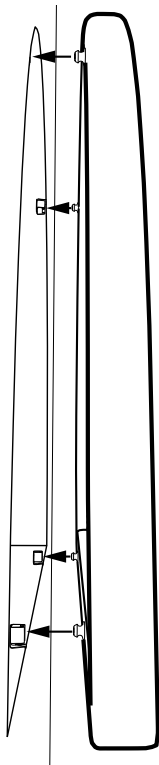
Use a screw to secure the Button Catch at each location



Insert a Button Screw at each Button Catch



Press the Arch against the Button Screws to mark the locations of each screw  
Screw a Button Screw in each of the marked locations



With Button Screws fully seated into the Arch, line up with Button Catch brackets and press into place