



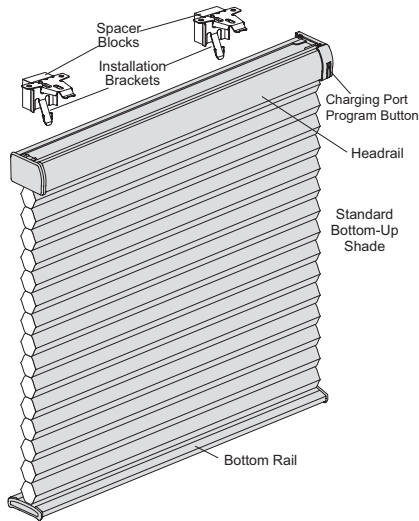
Cellular Window Shades




Auto-Lift™ Powered by AMP Installation Instructions

Thank you for choosing Parasol Cellular Shades. With proper installation and care, your new shades will provide many years of beauty and performance.

Tools Needed

- Power Drill, 1/4" Driver and drill bits
- Tape Measure
- Flat blade Screwdriver
- Phillips Screwdriver
- Pencil
- Level



| Mounting Surface | Fastener |
|------------------|---------------------------------------------------------------------------------------------------------------|
| Wood | #6 Hex Head Provided  |
| Drywall, Plaster | Wall Anchors Not Provided  |
| Metal | Sheet Metal Not Provided  |

| Shade Width | Brackets Required |
|------------------|-------------------|
| 12" - 36" | 2 |
| 36 1/16" - 72" | 3 |
| 72 1/16" - 108" | 4 |
| 108 1/16" - 144" | 5 |
| 144 1/16" - 174" | 6 |

INSTALL THE BRACKETS

Outside Mount (A.)

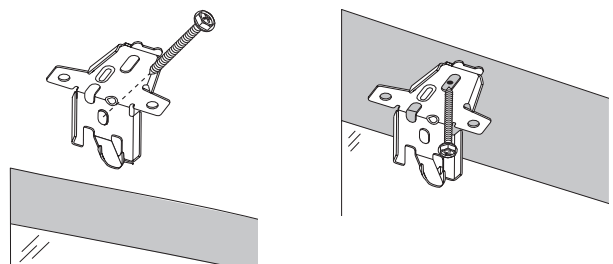
- Center the headrail over the window opening at the desired height and lightly mark each end on a flat mounting surface.
- Mark 2" from each end of the headrail.
- Center the installation brackets or extension brackets on your marks and mount flush against the mounting surface using the screws provided. Use drywall anchors if necessary.

Inside Mount (B.)

- Measure 2" from each jamb for bracket location. If more than two brackets came with your order, space additional brackets evenly between the two and mark their location.
- Mount brackets using the screws provided. Be sure the front edges of the brackets are aligned and level to each other. Shim the brackets if necessary.

A. Outside Mount

B. Inside Mount



3/8" & 3/4" Installation Bracket

1 1/4" Installation Bracket

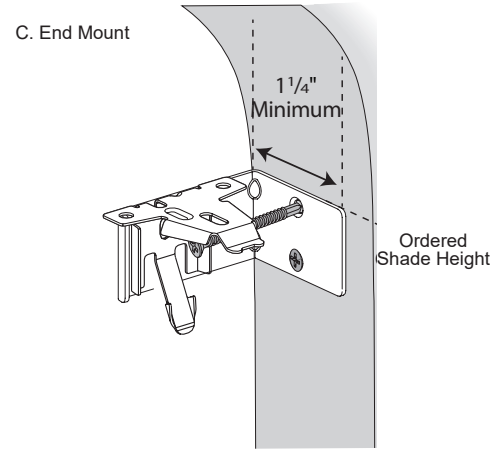
3/8" & 3/4" End Mount Brackets

1 1/4" End Mount Brackets

INSTALL THE BRACKETS (Cont.)

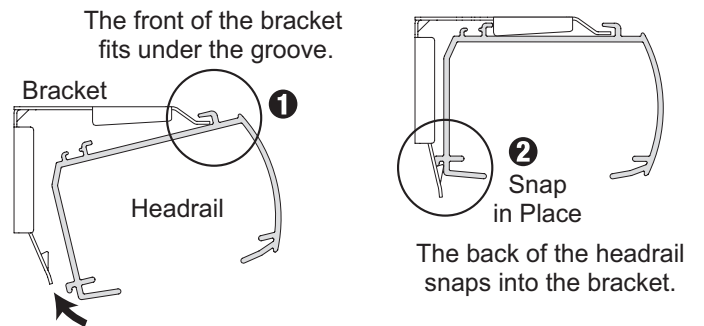
End Mount (C.)

- Position the end mount brackets so that the top of the attached installation brackets are at the ordered height of the shade.
- Mark both screw holes for each end mount bracket. Mounting surface must be vertical and flat.
- Attach the end mount installation brackets using the flat head screws provided.



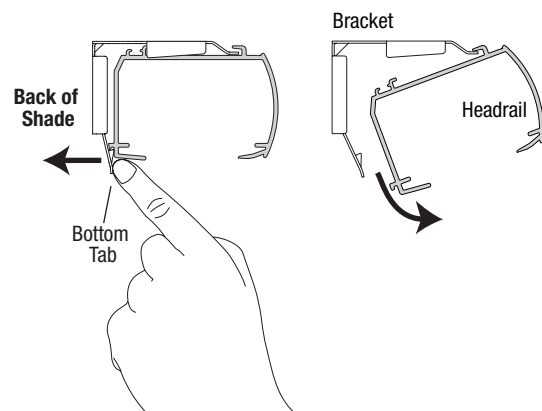
INSTALL THE SHADE

- To mount the headrail, hold the shade so that the front of the headrail faces you.
- Slip the headrail onto the installation brackets, so that the front of the bracket fits under the groove of the headrail.
- Push the headrail up and back until it snaps into place.
- Inspect the installation brackets to verify the back of the headrail is securely snapped into the base of each bracket. Also the front edge of each bracket must be in the groove of the headrail. If any brackets are not installed correctly, remove the shade and reinstall.



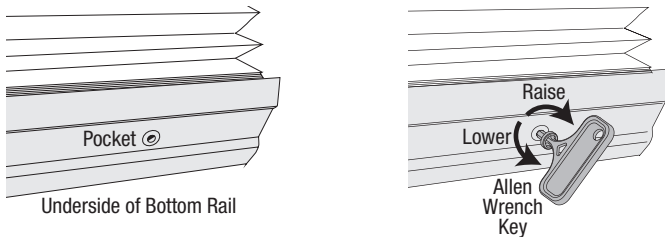
REMOVE THE SHADE

- Lower the shade approximately 4".
- While holding the headrail, push back on the bottom tab of the installation bracket to release the bottom edge of the headrail.
- After releasing the bottom edge, roll the back of the headrail down and out from the bracket.



LEVEL THE BOTTOM RAIL (If Necessary)

- Lift the bottom rail to locate the pockets on the underside of the rail.
- Gently pull down on the bottom rail to fully insert the 7/64" allen wrench key into the pocket. The key is fully inserted when the ring on the key abuts to the pocket.
- Lift up on the bottom rail slightly before turning the Allen wrench key. Turn the key clockwise to raise that side of the bottom rail, or counter-clockwise to lower it.
- One quarter turn of the key equals approximately 1/4".
- If more than two pockets exist, adjust the outer pockets first. Then adjust inner pockets as necessary, to maintain equal tension across the bottom rail. As pocket adjustments are made, it is recommended that the shade be raised and lowered to check that it is level.



CARE AND CLEANING

Regular light dusting with a feather duster is all the cleaning that is needed in most circumstances. For deeper cleaning, vacuum gently with a soft brush attachment. Do not vacuum Triple cell fabrics.

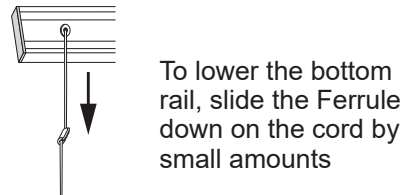
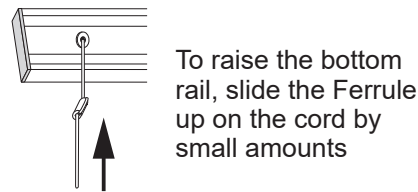
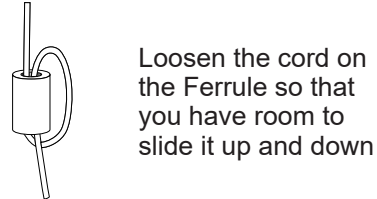
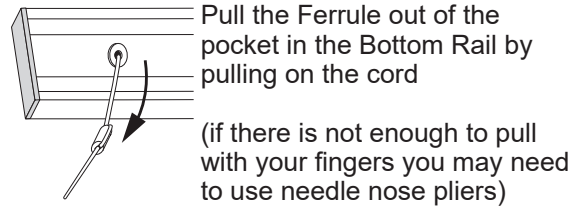
If the Ferrule comes off the cord



Thread the cord through the Ferrule and loop it around making sure that the cord ends up in the groove on the side of the Ferrule to ensure a proper fit.

For Monaco and Riviera Material Adjust the Shade Height (If Necessary)

If the shade height needs adjusted or the bottom rail is not level, the cord on the underside of the bottom rail may need adjusting.



Once you are satisfied with the shade height make sure the Ferrule is properly seated back in the pocket and tuck away any extra cord.

Radio Frequency FCC Compliance:

This device complies with Part 15 of the FCC Rules. Operation is subject to the following two conditions:

- (1) This device may not cause harmful interference, and
- (2) This device must accept any interference received, including interference that may cause undesired operation.

This equipment has been tested and found to comply with the limits for a Class B digital device, pursuant to Part 15 of the FCC Rules. These limits are designed to provide reasonable protection against harmful interference in a residential installation. This equipment generates, uses and can radiate radio frequency energy and, if not installed and used in accordance with the instructions, may cause harmful interference to radio communications. However, there is no guarantee that interference will not occur in a particular installation. If this equipment does cause harmful interference to radio or television reception, which can be determined by turning the equipment off and on, the user is encouraged to try to correct the interference by one or more of the following measures:

- Reorient or relocate the receiving antenna.
- Increase the separation between the equipment and receiver.
- Connect the equipment into an outlet on a circuit different from that to which the receiver is connected.
- Consult the dealer or an experienced radio/TV technician for help.

Any changes or modifications not expressly approved by the party responsible for compliance could void the user's authority to operate the equipment.

Troubleshooting

If your shade is not operating correctly:

First review the guide that came with your remote control or wireless wall switch.

Next refer to the following troubleshooting procedures below for the specific solutions for your shade.

| | |
|----------|---------------------------------------------------------------------------------------------------------------------------------------------------------------------------------------------------------------------------------------------------------------------------------------------------------------------------------------------------------------------------------------------------------------------------------|
| Problem | The shade will not fit into the installation brackets. |
| Solution | <p>Check that the installation brackets are level and aligned. Adjust and/or shim to level, if necessary.</p> <p>Be sure the heads of the mounting screws are flush against the installation bracket.</p> <p>Make sure that the shade fabric is not caught between the installation bracket and the headrail.</p> <p>Check that the headrail is completely inserted into the installation brackets. See “Install the Shade”</p> |
| Problem | The shade is not responding to the remote or the wireless wall switch. |
| Solution | <p>Battery power may be low in the headrail, recharge the battery.</p> <p>Reset the shade. See “Resetting a Window Covering to its Factory Defaults” in the Remote Control Guide or the Wireless Wall Switch Guide for further information or see “Resetting the Shade”</p> <p>See the Remote Control Guide or the Wireless Wall Switch Guide for operation or programming troubleshooting solutions.</p> |
| Problem | The shade is operating slowly or does not raise or lower completely. |
| Solution | <p>The battery may be low in the Headrail. Recharge the battery.</p> <p>Check that the fabric stacks up evenly into the headrail. If not, see “Level the Bottom Rail (If Necessary)”</p> <p>Reset the stop positions. See “Resetting a Window Covering to its Factory Defaults” in the Remote Control Guide or the Wireless Wall Switch Guide for further information.</p> |
| Problem | The shade raises or lowers unevenly or the bottom rail is uneven when fully raised. |
| Solution | <p>Lower the shade completely to allow it to “self-correct” skewing.</p> <p>Check that the headrail and installation brackets are level and aligned. Shim the installation brackets to level the headrail, if necessary.</p> <p>Adjust the bottom rail. See “Level the Bottom Rail (If Necessary)”</p> |