

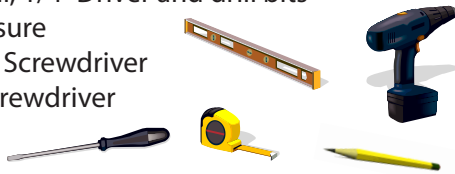





## Cellular Window Shades Continuum™ Installation Instructions

Thank you for choosing Parasol Cellular Shades. With proper installation and care, your new shades will provide many years of beauty and performance.

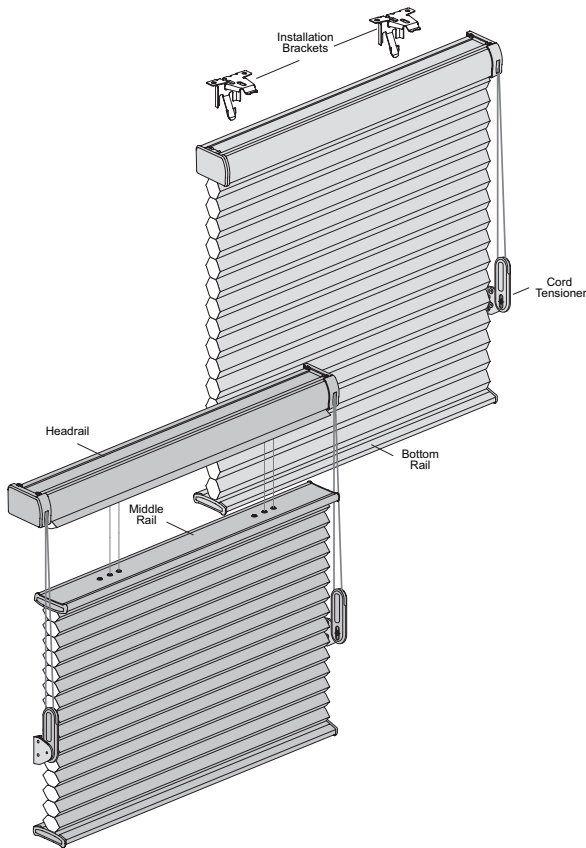
### Tools Needed

Power Drill, 1/4" Driver and drill bits  
Tape Measure  
Flat blade Screwdriver  
Phillips Screwdriver  
Pencil  
Level



Mounting Surface	Fastener
Wood	#6 Hex Head Provided 
Drywall, Plaster	Wall Anchors Not Provided 
Metal	Sheet Metal Not Provided 

Shade Width	Brackets Required
12" - 36"	2
36 1/16" - 72"	3
72 1/16" - 108"	4
108 1/16" - 144"	5
144 1/16" - 174"	6



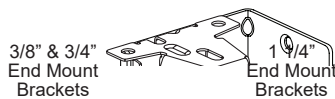
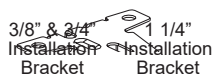
### INSTALL THE BRACKETS

#### Outside Mount

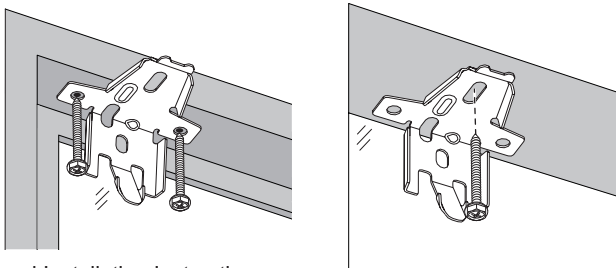
- Center the headrail over the window opening at the desired height and lightly mark each end on a flat mounting surface.
- Mark 2" from each end of the headrail.
- Center the installation brackets or extension brackets on your marks and mount flush against the mounting surface using the screws provided. Use drywall anchors if necessary.

#### Inside Mount

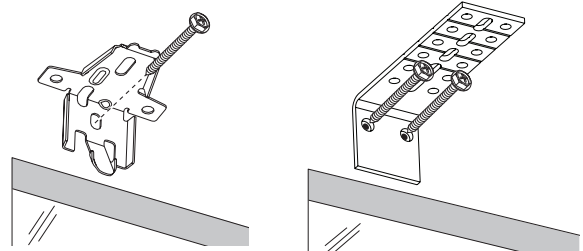
- Measure 2" from each jamb for bracket location. If more than two brackets came with your order, space additional brackets evenly between the two and mark their location.
- Mount brackets using the screws provided. Be sure the front edges of the brackets are aligned and level to each other. Shim the brackets if necessary.



Inside Mount



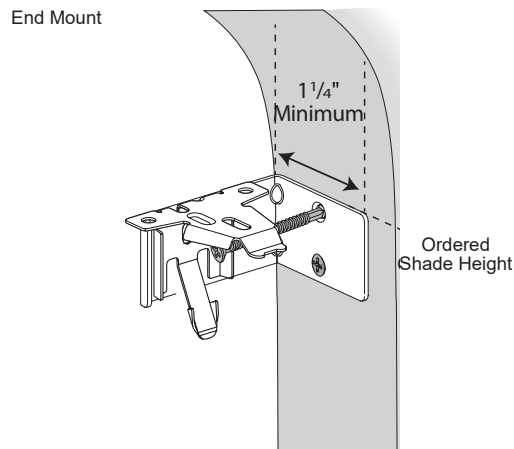
Outside Mount



## INSTALL THE BRACKETS Cont.

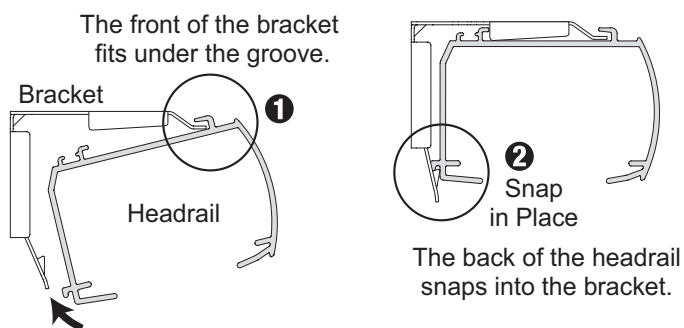
### End Mount

- Position the end mount brackets so that the top of the attached installation brackets equal the ordered height of the shade. Mounting surface must be vertical and flat.
- Mount brackets using the screws provided. Drywall mounting is not recommended.



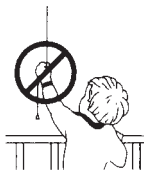
## INSTALL THE SHADE

- Fit the front channel on top of the headrail onto the front lip of the installation brackets.
- Push the headrail up and back until it snaps into the brackets.



## INSTALL CORD TENSION LOCK

- The revised American National Standard for Safety of Corded Window Covering products requires if corded window products are used in the home, cord cleats or cord tension locks must be properly installed.



- See separate instructions included for installation of the Cord Tension Lock for child and pet safety.

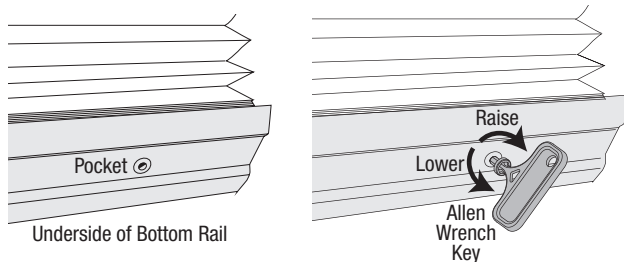
## OPERATE THE SHADE

- Pull down slowly on the rear cord of the cord loop to lower the shade.
- Pull down slowly on the front cord of the cord loop to raise the shade.
- If the cord tension lock moves up the cord, you have not secured it to the wall or window frame. You must do so for the shade to operate properly.
- **For Top-Down/Bottom-Up and Duo-Lucent shades, the right cord operates the middle rail and the left cord operates the bottom rail (unless reverse controls were specified on the order.)**

**Important:** You must first lower the bottom rail before lowering the middle rail. Likewise, you must first raise the middle rail before raising the bottom rail.

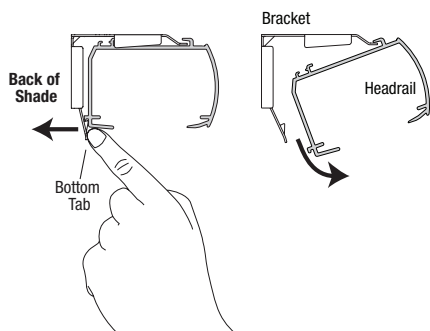
### LEVEL THE BOTTOM RAIL (If Necessary)

- Lift the bottom rail to locate the pockets on the underside of the rail.
- Gently pull down on the bottom rail to fully insert the 7/64" allen wrench key into the pocket. The key is fully inserted when the ring on the key abuts to the pocket.
- Lift up on the bottom rail slightly before turning the Allen wrench key. Turn the key clockwise to raise that side of the bottom rail, or counter-clockwise to lower it.
- One quarter turn of the key equals approximately 1/4".
- Adjust the end pockets first. Then adjust any additional pockets as necessary to maintain equal tension across the bottom rail.



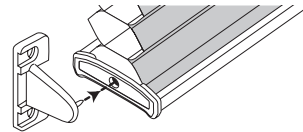
### REMOVE THE SHADE (If Necessary)

- Lower the shade approximately 4".
- While holding the headrail, push back on the bottom tab of the installation bracket to release the bottom edge of the headrail.
- After releasing the bottom edge, roll the back of the headrail down and out from the bracket.



### INSTALL OPTIONAL HOLD-DOWNS

- Lower the shade and place the pins from the hold-down brackets into the end caps on the bottom rail.
- On the mounting surface, mark the bracket hole locations.
- Check that the brackets are level and attach them to the mounting surface using two screws.



### CARE AND CLEANING

Regular light dusting with a feather duster is all the cleaning that is needed in most circumstances. For deeper cleaning, vacuum gently with a soft brush attachment. Do not vacuum Triple cell fabrics.

### If the Ferrule comes off the cord



Thread the cord through the Ferrule and loop it around making sure that the cord ends up in the groove on the side of the Ferrule to ensure a proper fit.

# Troubleshooting

Problem	The shade is hard to raise or lower, or will not raise or lower.
Solution	<p>Check that the cord tensioner is mounted correctly. See the instructions included with your Universal Cord Tensioner Installation Kit.</p> <p>For Bottom-Up/Top-Down and Day/Night shades: The lift cords in the headrail may have “overturned”. Try the following:</p> <p style="padding-left: 40px;">If both rails are in the raised stacked position, at the top of the window, pull down the back cord of the cord loop that operates the bottom rail.</p> <p style="padding-left: 40px;">With all other problems, pull down the front cord of the cord loop that operates the middle rail.</p> <p>Make sure that the shade fabric is not caught between the installation bracket and the headrail.</p> <p>Check that the headrail and installation brackets are level and aligned. Shim the installation brackets to level the headrail, if necessary.</p> <p>Check that cord loops are not pinched or tangled.</p> <p>If hold-down brackets are used, make sure they have been released before operating the shade.</p>
Problem	The shade raises or lowers unevenly or the bottom rail is uneven when fully raised.
Solution	<p>Lower the shade completely to allow it to “self-correct” skewing. Pull the cord loop slowly to prevent the shade from further skewing.</p> <p>Check that the headrail and installation brackets are level and aligned. Shim the installation brackets to level the headrail, if necessary.</p> <p>For Bottom-Up/Top-Down shades: Both the middle rail and the bottom rail may skew if the cord loop is pulled too quickly. Lower each rail completely to allow them to “self-correct”.</p> <p>Adjust the bottom rail. “Level the Bottom Rail (If Necessary)”</p>
Problem	The shade will not fit into the installation brackets.
Solution	<p>Check that the installation brackets are level and aligned. Shim the installation brackets to level the headrail, if necessary.</p> <p>Be sure the heads of the screws are flush against the installation bracket.</p> <p>Check that the headrail is completely inserted into the installation brackets. See “Install the Shade”</p>
Problem	The universal cord tensioner has climbed to the headrail.
Solution	<p>Pull down on the spring to relieve tension and pull the universal cord tensioner to the bottom of the cord loop. Properly mount the cord tensioner. See the instructions included with your Universal Cord Tensioner Installation Kit.</p>
Problem	The universal cord tensioner grabs onto the cord upon operation.
Solution	<p>Check that the universal cord tensioner is mounted properly. Reinstall, if necessary. See the instructions included with your Universal Cord Tensioner Installation Kit.</p>