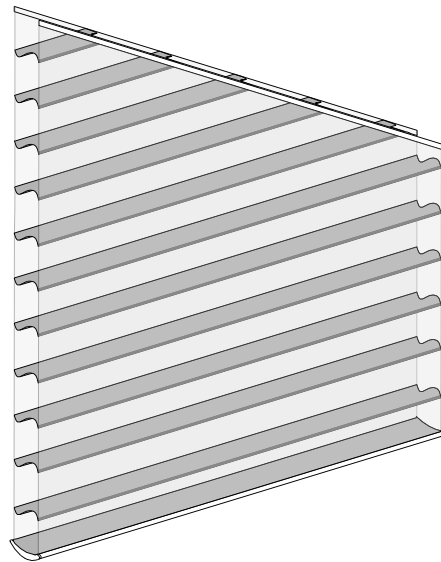
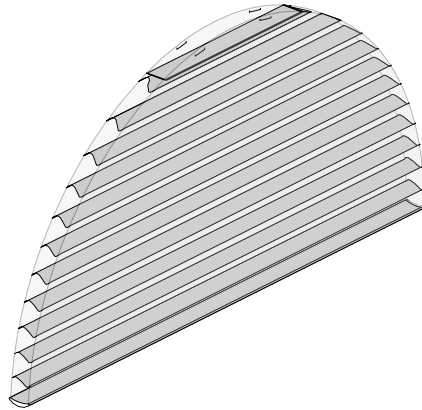
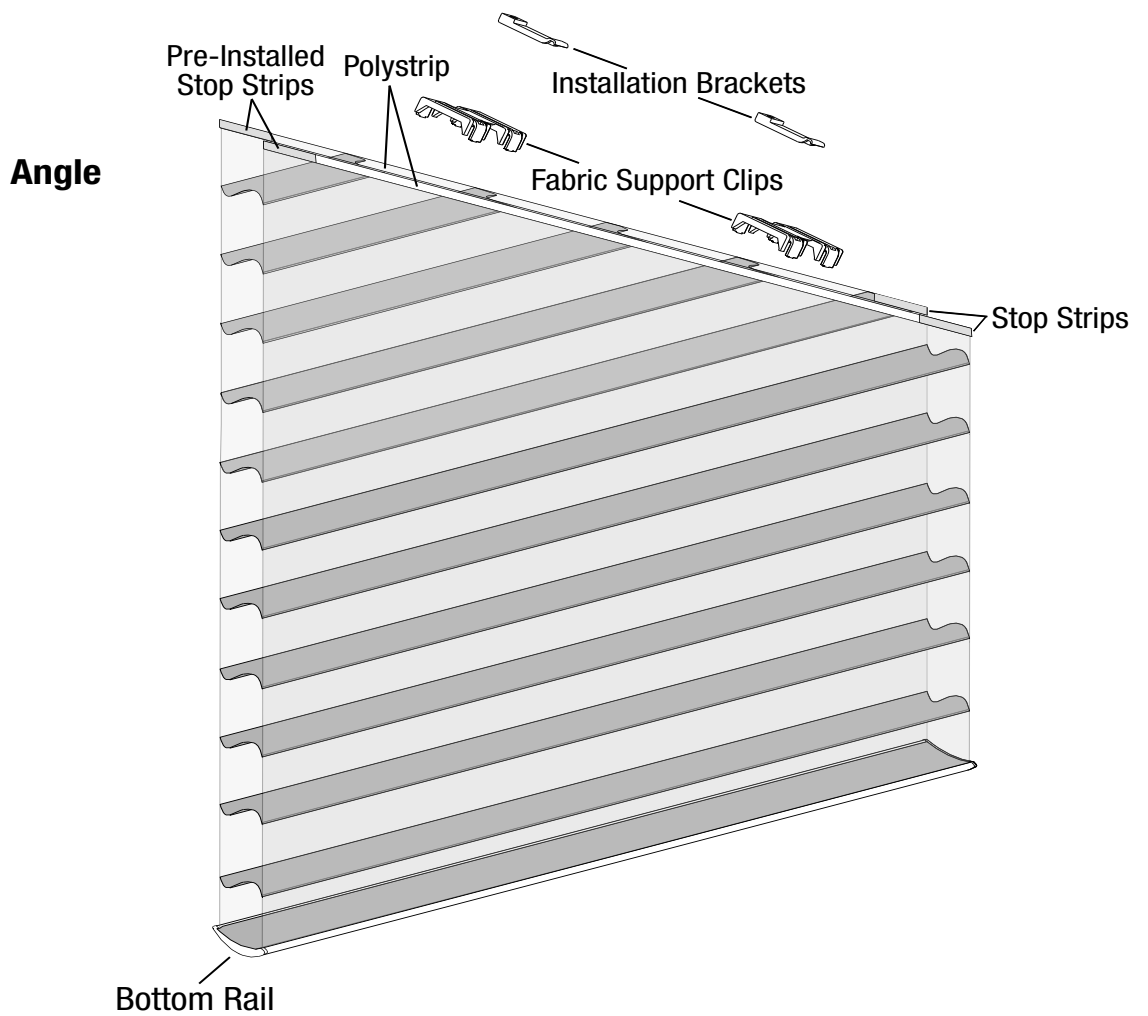
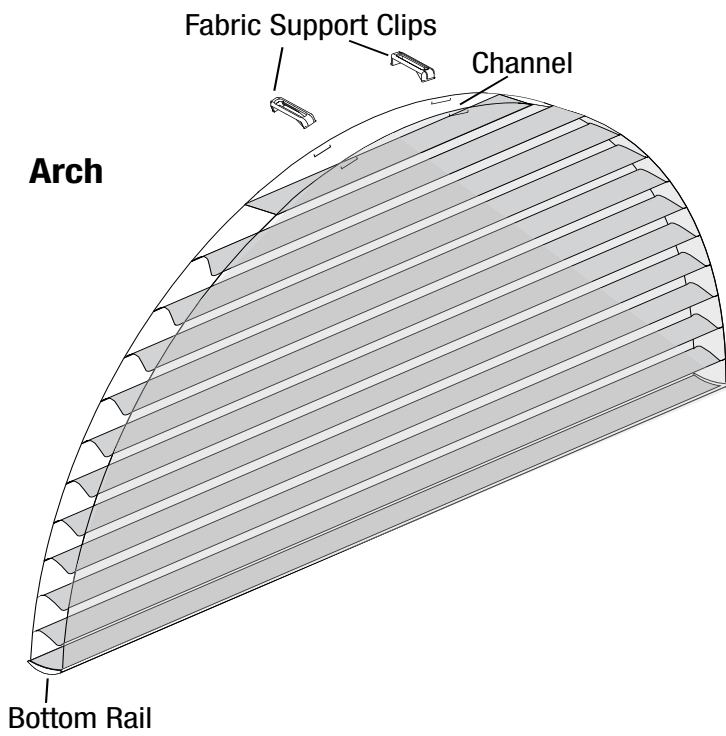


**Installation Instructions**  
**Tenera™ Sheer Shadings**



**Specialty  
Shapes**

**Product View**



Not Shown: Extended Arch

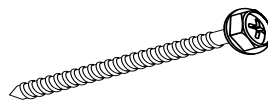
Thank you for purchasing sheer window shadings. With proper installation and care, your new shadings will provide years of beauty. Please thoroughly review this instruction booklet before beginning the installation.

## Tools and Fasteners Needed

- Level (laser level recommended)
- Measuring tape
- Pencil
- Phillips screwdriver
- Power drill, 1/4" driver, and drill bits

In addition, you will need fasteners designed to work with your specific mounting surface(s).

- **#6 Hex Head Screws (Provided).** One 1 1/2" screws is provided with each fabric support clip or installation bracket.
- **Wall Anchors (Not Provided).** If mounting into drywall, you will need wall anchors to ensure a secure installation.



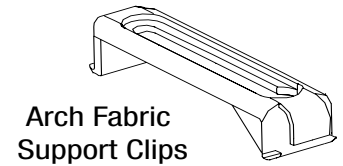
**#6 x 1 1/2"**  
**Hex Head Screw**  
(Provided)

## Installation Overview

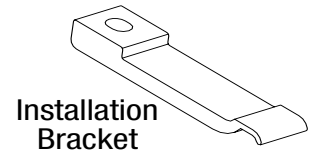
Check the packaging to be sure you have all the components needed to install your shadings. Keep the packaging until the shadings perform to your satisfaction.

### Required Components

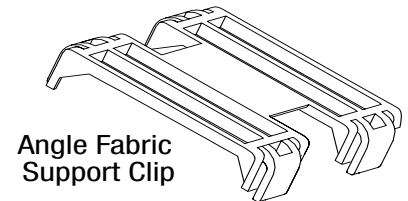
- **Arch Fabric Support Clips.** Your arch shading should have two pre-attached fabric support clips on the shading.



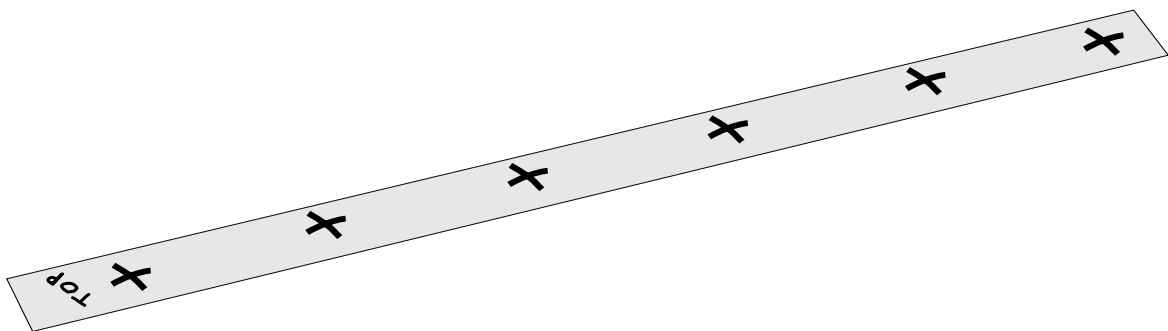
- **Installation Brackets.** The angle shadings should include one installation bracket per fabric support clip.



- **Angle Fabric Support Clips.** The number of clips will vary with the size and type of angle shading.



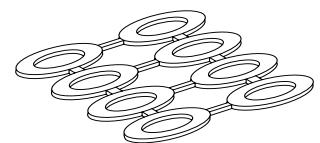
- **Drill Template.** The drill template is used to assist with the placement of the fabric support clips and installation brackets.



- **Adhesive-Backed Stop Strip.** One side of the stop strip is pre-installed. Install the other side once the shading is centered in place. The stop strip applies tension to the shading.

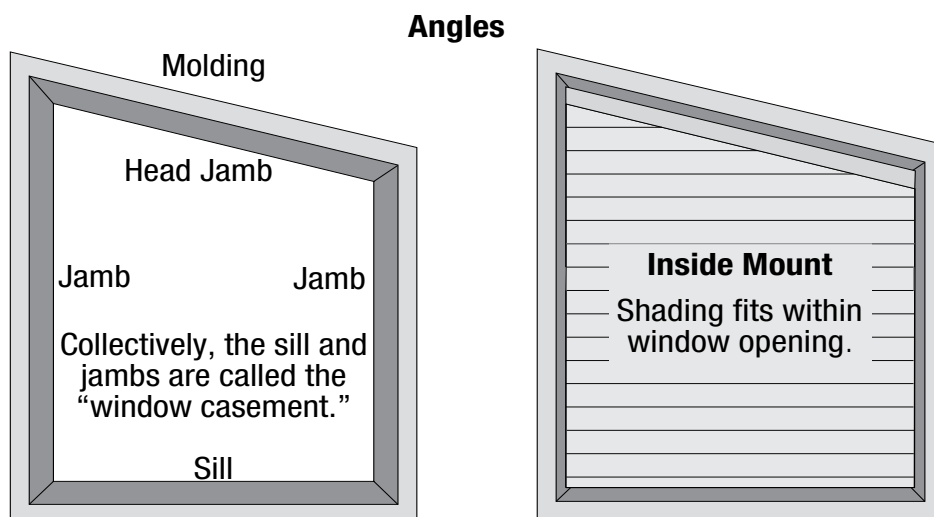
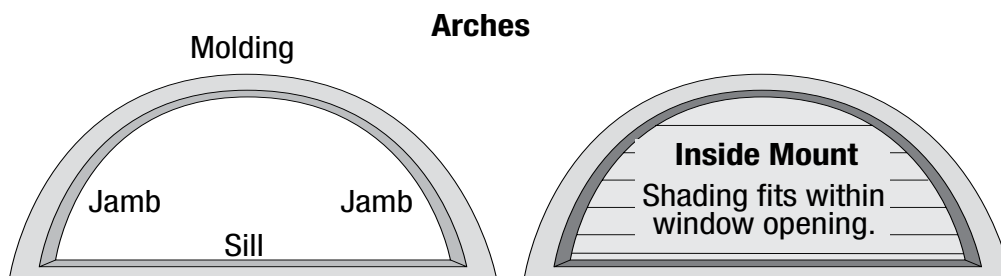
### Optional Components

- **Shims (Plastic Washers).** If necessary, use one or more shims to level the installation brackets.



## Mounting Types and Window Terminology

If the installation brackets are mounted correctly, the rest of the installation process follows very easily. To prepare for this important first step, review the mounting types and basic window terminology illustrated below.



## Install the Top Channel

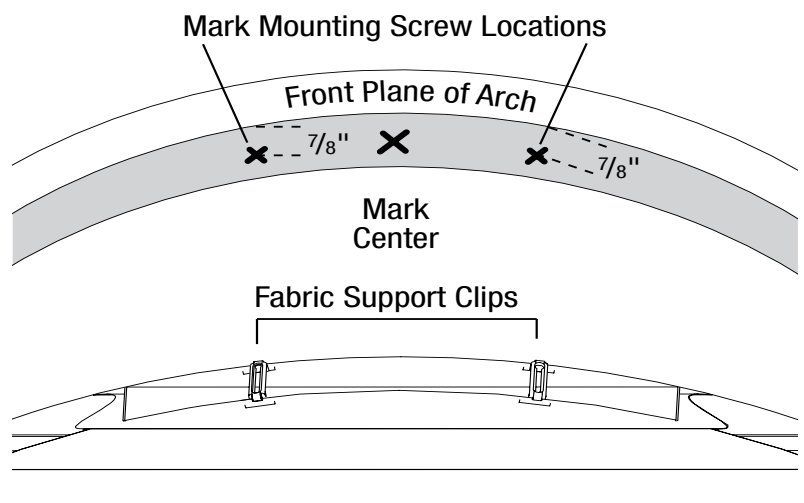
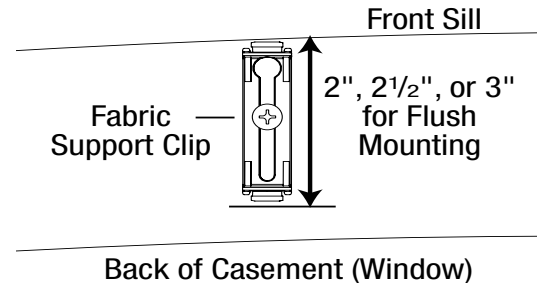
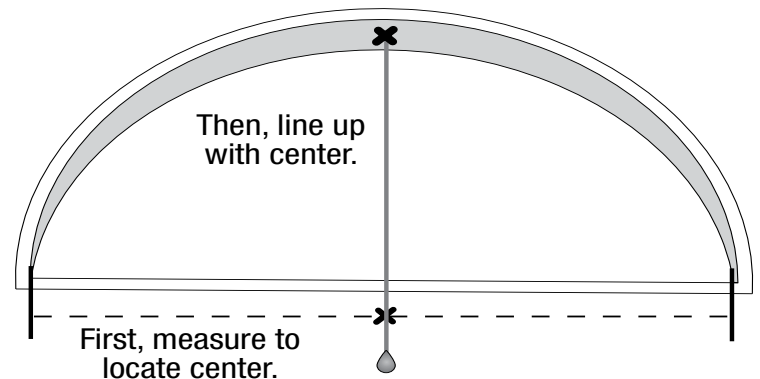
Arch shadings can only be mounted on the inside of the window casement.

**CAUTION:** Handle the fabric carefully throughout the installation process.

- Clear a flat, clean workspace.
- Place the shading with the front side of the fabric facing up. Note that the fabric support clips are pre-attached to the shading.
- Locate and mark the top center of the window casement. One method is to use a plumb line, as shown.
  - Measure the bottom sill and divide in two to locate center and mark the location.
  - Move the plumb line until the bob aligns with the center mark on the sill, then mark the location on the top casement.

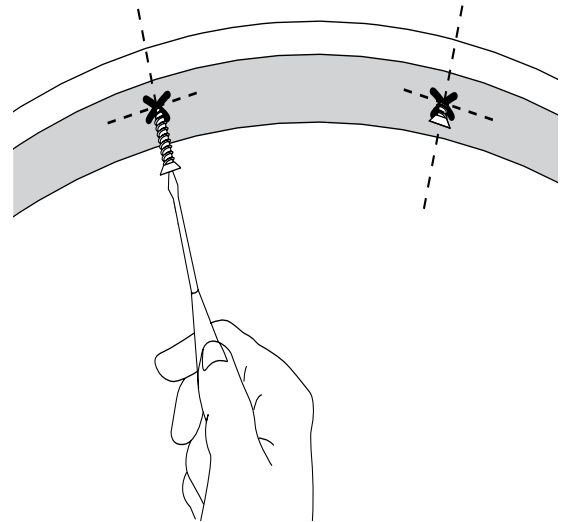
**IMPORTANT:** Locating the exact center is very important for the shading to hang level and evenly in the window.

- Center the space between the two fabric support clips attached to the fabric on the center mark on the casement.
- Mark the location for the mounting screws.
  - The minimum depth for a flush mount (fabric flush with the front of the sill) is the vane size of the shading (2", 2 1/2", or 3" vanes).
  - The minimum mounting depth for screw placement is 7/8".



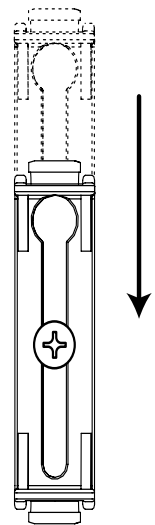
■ Install the screws where marked.

- The screws should be at an angle perpendicular to the mounting surface. Leave the screw head partially unscrewed, approximately  $\frac{3}{8}$ ".



■ Install the shading onto the fabric support clips.

- Hold the shading up to the window casement with the keyhole on the fabric support clips to the back.
- Slide the keyhole of each fabric support clip over the adjacent screw head.
- Slide the fabric support clip back to secure the shading.

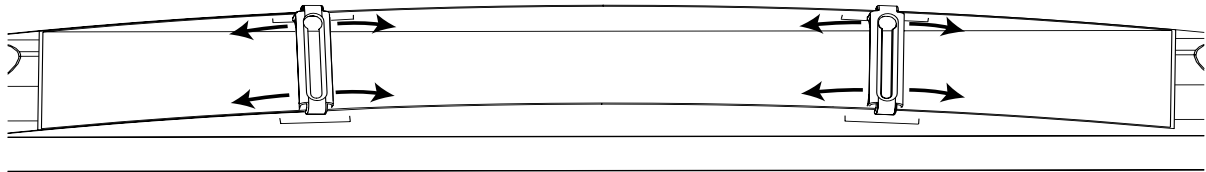


## Adjust the Shading

The shading should be level and hang straight for the best appearance.

### To level or straighten:

- Slide the fabric clips slightly right or left (where applicable). Be careful not to detach the shading from the clips.

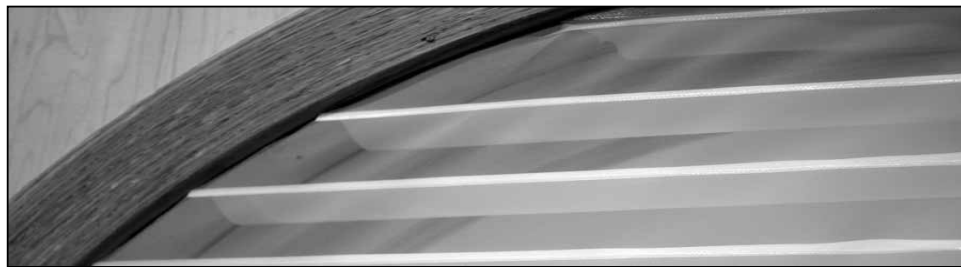


- Another option is to loosen a top mounting screw to drop the corresponding side. Loosen a bottom mounting screw (where applicable) to straighten.

**IMPORTANT:** To alter the tension on the fabric and clips, adjust the mounting screws. The bottom rail should touch the window sill. To tension the fabric, tighten the mounting screws.

### Install Additional Support Clips (Optional)

Additional support clips assist in removing wrinkles in the shading fabric. Use as many support clips as needed.



### **Locate the Wrinkle**

1. Pull gently on the edge of the fabric until the wrinkle disappears.



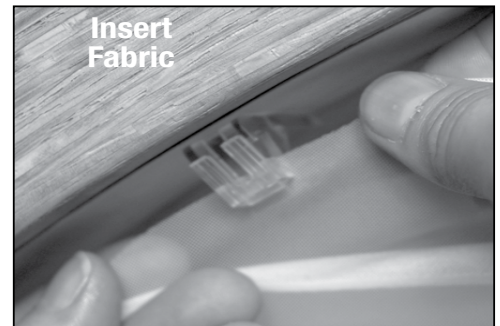
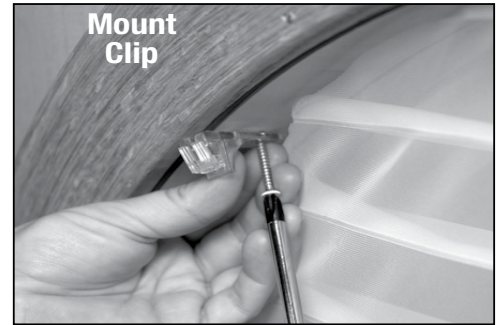


1. Mark this location on the window casement.



### Mount the Support Clip

3. Mount the support clip on the mark using one screw. Adjust the position so the flat front of the support clip (behind the slider portion) aligns with the front fabric panel.
4. Raise the slider on the end of the support clip and place the fabric edge into the opening on the end of the clip.

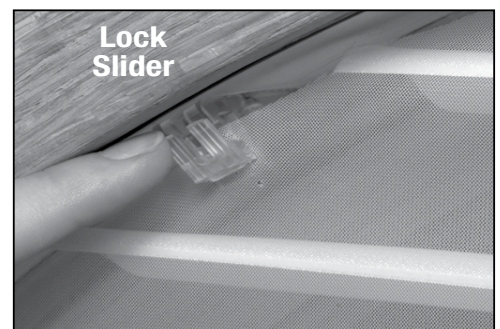


### Adjust the Fabric

5. Insert a tool, such as a small screwdriver or bent paperclip, through the slot in the clip. Use it to adjust the position of the fabric edge until the wrinkle disappears.

**CAUTION:** Use care not to snag the fabric.

6. While still holding the fabric in position with the tool, lower the slider to lock the fabric in place.
  - If you still see a wrinkle in this location, lift up the slider, insert the tool through the front slot to release the fabric from the teeth, then re-adjust the fabric.
  - If you see a wrinkle in another place, install another support clip.



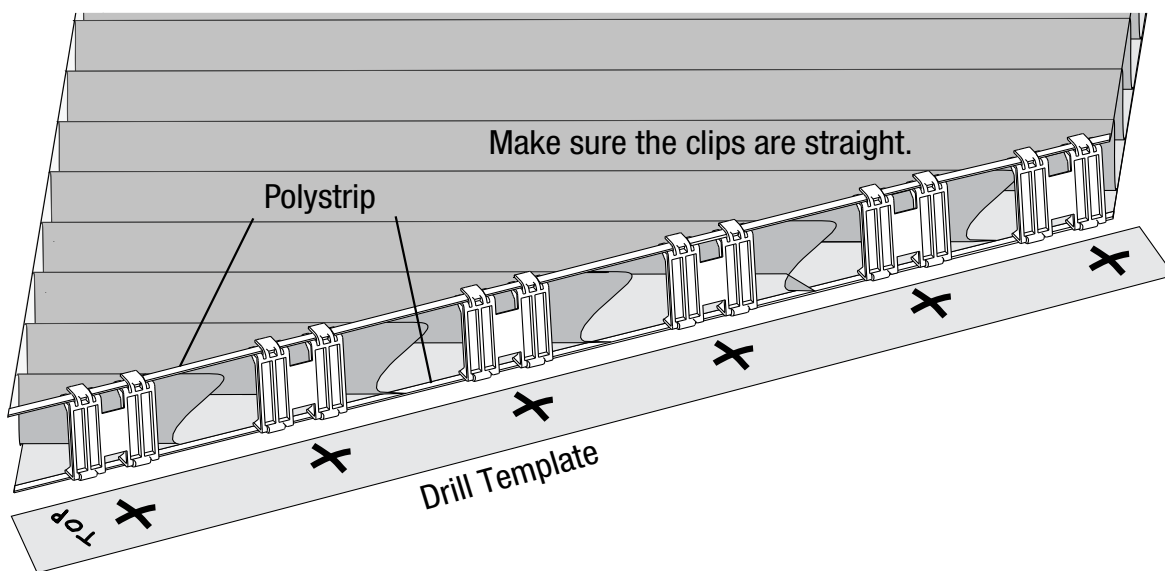
## Attach Fabric Support Clips

**CAUTION:** Handle the fabric carefully throughout the installation process. Clear a clean, flat workspace.

- Place the shading with the front side of the fabric facing up.
- Unroll the supplied drill template and place it along the top edge of the shading.

**IMPORTANT:** The drill template locates the fabric support clips properly, depending upon vane spacing. Do not place or slide the clips over the end of a fabric vane.

- Lift the top edges of the front and back fabric panels.
- Snap the fabric support clips onto the plastic polystrips attached to the panels.
- Align the fabric support clips with the drill marks on the template. The clip positions can be adjusted by sliding them along the polystrip as needed when you install the shading.



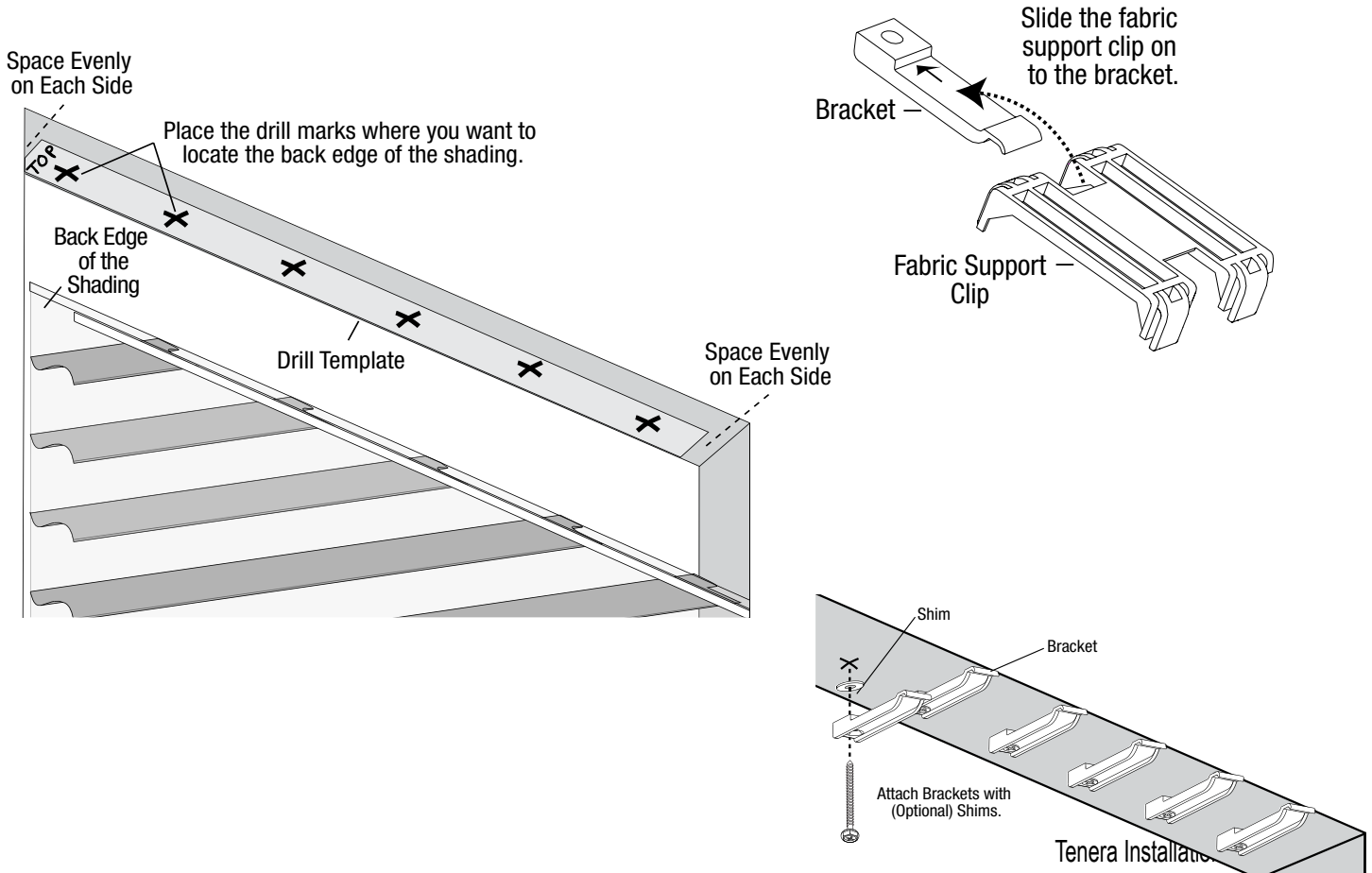
**Angle Shading Illustrated**

# Install the Angle Brackets

**IMPORTANT:** The minimum mounting depth for a fully recessed shading is the vane size of the shading, 2", 2½", or 3".

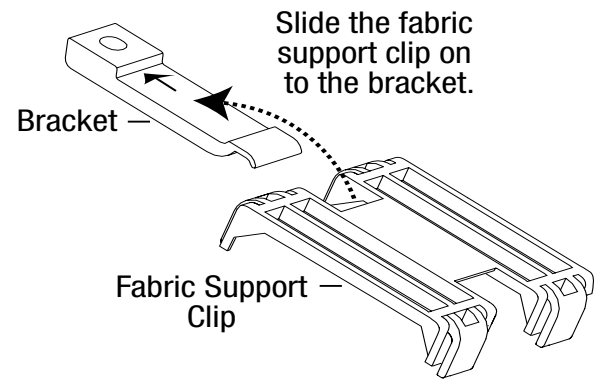
- Affix the supplied drill template to the window casement.
  - Place the end marked TOP approximately ¼" away from the upper corner of the casement.
  - Align the drill marks on the template in a straight line with where you want to place the back edge of the shading. (The mounting screws for the fabric support clips align with the rear fabric panel on the shading.)
  - Center the drill template in the casement. The space between the end of the drill template tape and the side wall of the casement should be even on both sides.
- Drill pilot holes at the locations marked on the tape.
- Remove the tape and attach one bracket per hole.
  - If necessary, use shims to accommodate for an uneven window casement.

**IMPORTANT:** If using more than one shim, fold the shims together (they come connected), rather than separating and stacking them.



## Mount the Angle Shading

- Hold the shading up to the brackets with the front side of the shading facing forward.
- Starting at the top, attach each fabric support clip, one at a time, onto a bracket until the shading is secure. If necessary, slide each clip along the polystrip to align it with the bracket. Do not place or slide the clips over the end of a fabric vane.

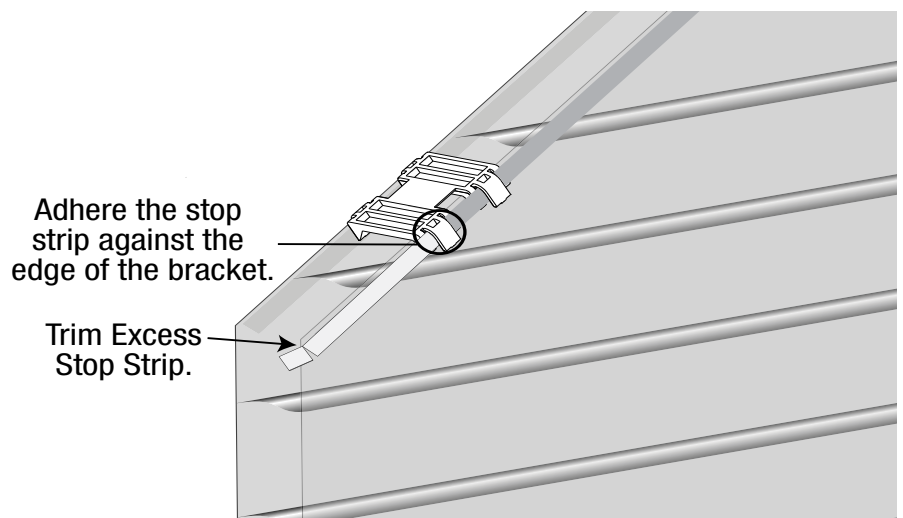


## Adjust the Angle Shading

### Install the Opposite End Stop Strips (Optional)

Stop strips have been pre-installed at one end of each polystrip to prevent the shading from sliding completely through the fabric support clips. After the shading is centered in place, you may want to install a stop strip to the other end to tension the shading.

- Gently pull on the end of the front polystrip to lightly tension the strip and smooth the face fabric.
- Peel the backing off of the short adhesive-backed stop strip.
- Adhere the stop strip to the tensioned polystrip against the edge of the bracket to maintain tension.
- Trim the excess stop strip flush with the edge of the shading.



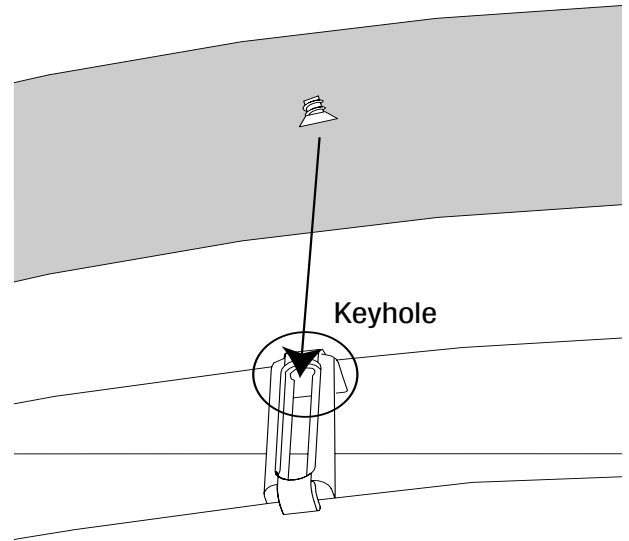
<b>Problem</b>	The arch shading or bottom rail does not appear straight.
<b>Solution</b>	<p>Verify that the screw placement is accurate. See “Install the Top Channel”</p> <p>Slide the shading slightly at the clips to level the bottom rail. See “Adjust the Shading”</p> <p>The window casement may be uneven. Adjust the mounting screw height to compensate. See “Install the Top Channel”</p>
<b>Problem</b>	The arch shading is not centered in the window.
<b>Solution</b>	Verify the center of the window and verify that the mounting screws were accurately mounted. See “Install the Top Channel”
<b>Problem</b>	The arch shading fabric has wrinkles.
<b>Solution</b>	Install support clips. See “Install Additional Support Clips (Optional)”
<b>Problem</b>	The angle shading does not appear to hang straight.
<b>Solution</b>	<p>There is lack of tension between the clips, resulting in puckering or sagging. Re-tension the shading by removing and reattaching the stop strips. See “Adjust the Angle Shading”</p> <p>The window casement may be uneven. Shim the brackets using the supplied plastic washers, as necessary. See “Install the Angle Brackets”</p>

<b>Problem</b>	The angle shading is not centered in the window.
<b>Solution</b>	<p>Add clearance on one side.</p> <p>Trim the stop strips:</p> <ul style="list-style-type: none"><li>■ Remove the stop strips on the side to add clearance.</li><li>■ Trim the stop strips slightly and re-affix. See “Adjust the Angle Shading”</li><li>■ Slide the end fabric support clip until it rests against the stop strip.</li><li>■ Adjust the fabric support clips by sliding them slightly toward the adjusted side.</li></ul> <p>On the opposite side:</p> <ul style="list-style-type: none"><li>■ Remove the stop strips.</li><li>■ Tension the fabric.</li><li>■ Re-affix the stop strips. See “Adjust the Angle Shading”</li><li>■ Slide the end fabric support clip until it rests against the stop strip.</li></ul>

## Remove the Shading

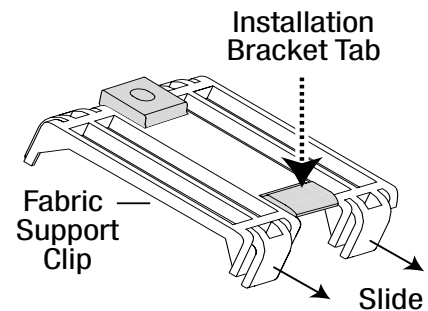
### Arches

- Slide the shading forward at the fabric support clips.
- Release the mounting screw from the keyhole in the fabric support clip and remove the shading.



### Angles

- Push down on the installation bracket tabs.
- Slide the fabric support clips forward to remove the shading.



## Cleaning Procedures

Sheer shadings are made of 100% polyester, which means they are inherently durable and resilient. However, care must be taken to avoid wrinkling the fabric, particularly where the vanes meet the facings.

### Dusting

Regular light dusting with a feather duster is all the cleaning that is needed in most circumstances.

### Vacuuming

Use a low suction, hand-held vacuum for more thorough dust removal.

### Forced Air

Blow away dirt and debris between the vanes using clean compressed air.

### Spot-Cleaning

Do not spot-clean sheer shadings.

## **Ultrasonic Cleaning**

Sheer shadings can be ultrasonically cleaned by a professional with the exception of light dimming fabrics.

- Specify that a mild detergent solution be used.
- Dry the shading completely in the lowered position.

## **Injection/Extraction**

Sheer shadings can be professionally cleaned using the injection/extraction method.

- A dry method of injection/extraction is required for light dimming fabrics.

## **Electrostatic Cleaning**

**Do not use electrostatic cleaning wipes on any sheer shadings.**

## **A Note About Fabrics**

As with all textiles, sheer shading fabrics are subject to some variations. Slight wrinkling, puckering, or bowing is inherent to this textile product and should be considered normal, acceptable quality. These characteristics are not usually visible from the front or rear but may be visible from a side angle.

Precautions should be taken to reduce exposure to harsh environmental elements, such as salt air. Continuous exposure through open windows and doors will accelerate the fabric deterioration.

