

Installation Instructions

Wood Blinds

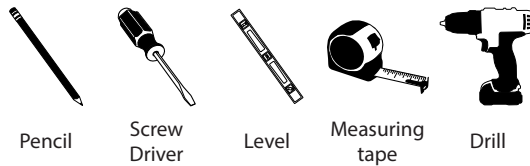
Thank You

Thank you for choosing your Wonderwood® wood blind. With proper installation and care, your new blinds will provide many years of beauty and performance.

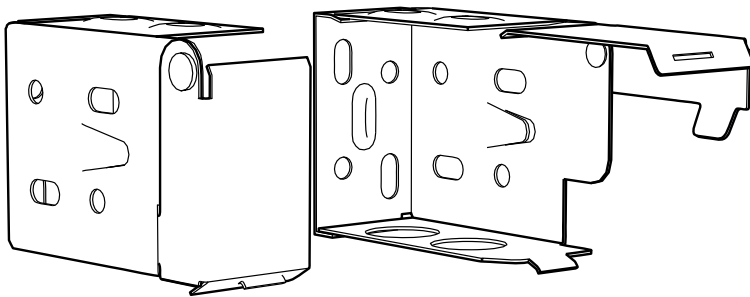
Before Installing

Remove blind from the package. Keep all packaging until blind operates to your satisfaction. Contents of your hardware package may vary depending on options chosen. Additional fasteners may be needed on your specific mounting surface (not included).

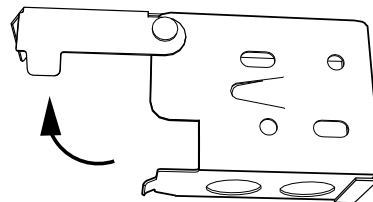
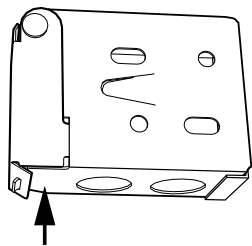
Tools Needed



1 Determine Bracket Location



Your Blinds come with a Left and Right Hinge Bracket and optional spacers and Intermediate Brackets on blinds over 48" Wide



Open Brackets by pressing against the locking tab on the bottom of the Bracket and swinging open

INSIDE MOUNT

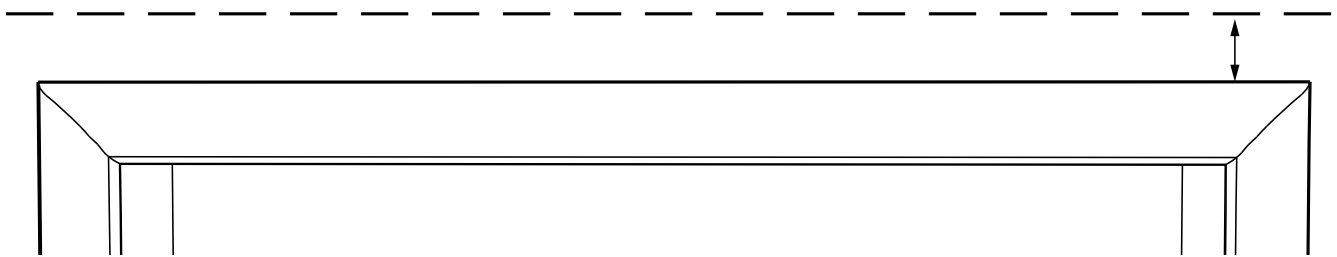
Place Brackets in corners of window opening at the same depth and mark location



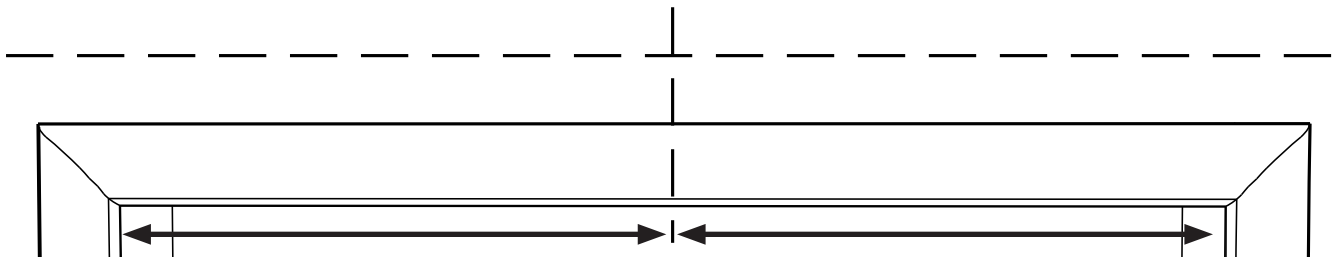
IMPORTANT: Brackets must be level and plumb to each other to ensure proper operation
Some shimming may be required

OUTSIDE MOUNT

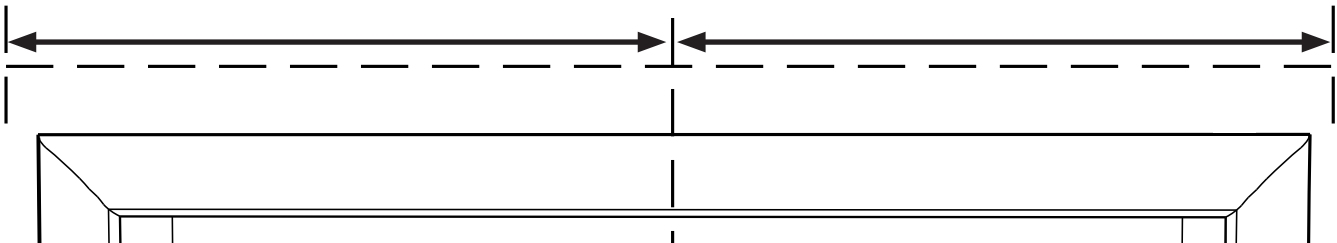
Determine height placement of blind and make a level line



Find the center of the window opening and mark the location on your height line



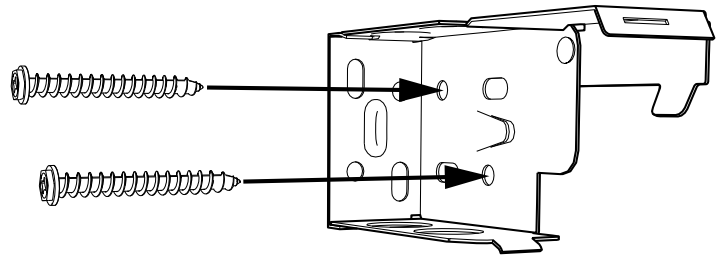
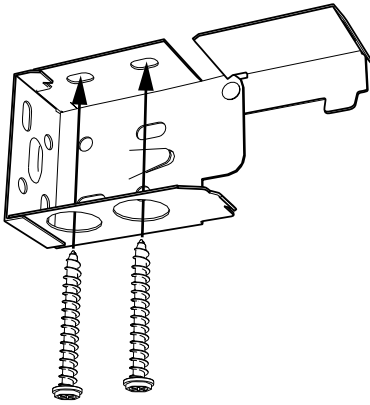
Mark lines at half the ordered width from both sides of the center line to determine bracket location



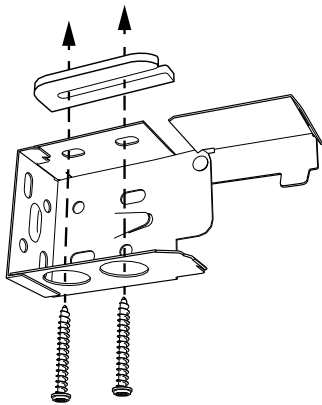
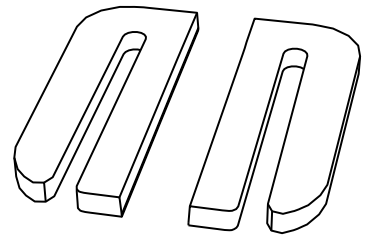
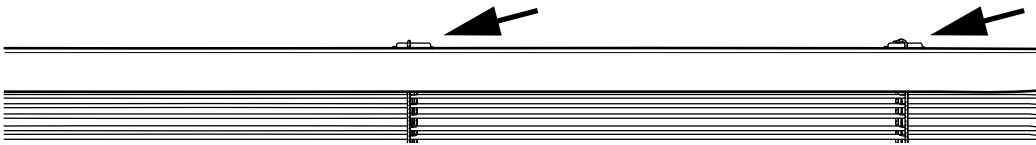
2 Install Brackets

Use Two screws per bracket through the top or side of the bracket to attach to mounting surface

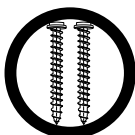
INSIDE MOUNT



IMPORTANT: Accu-Rise Headrail Components extend beyond the top of the Headrail and Spacers may be required on the Brackets for Inside Mount Applications

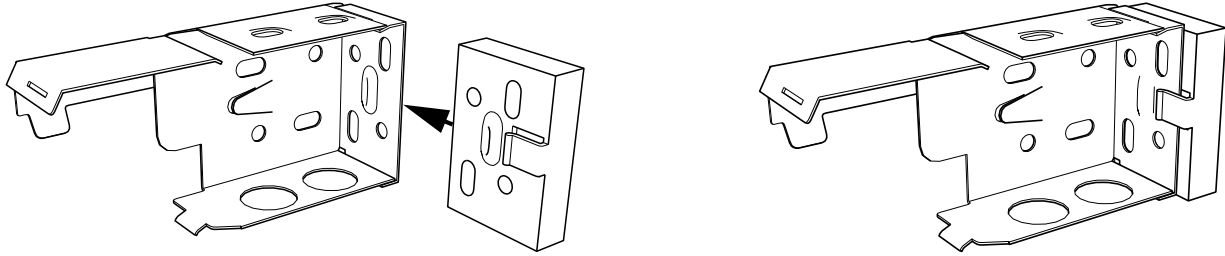


Line up the slot in the Spacer with the holes in the Bracket and use two screws to attach to window opening



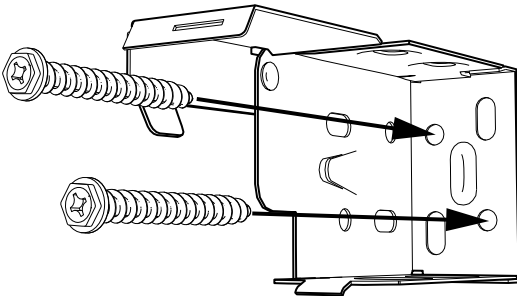
IMPORTANT: Two screws are needed to attach each installation bracket

If your shade has 2 1/2" slats or you ordered spacers to clear obstructions install Spacer Blocks on the back of your brackets before proceeding

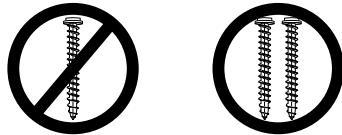


IMPORTANT: Spacer Blocks are REQUIRED for blinds with 2 1/2" slats

OUTSIDE MOUNT



Use Two screws per bracket through the back of the bracket to attach to mounting surface

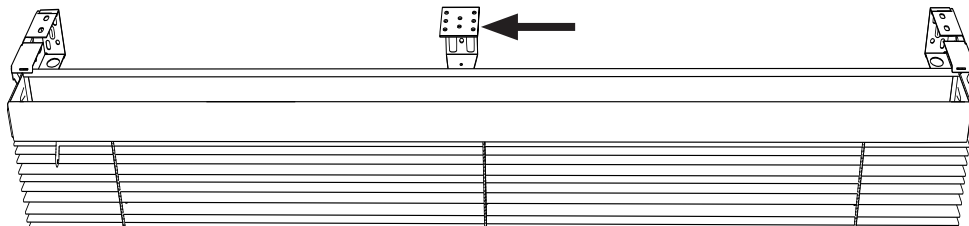


IMPORTANT: Two screws are needed to attach each installation bracket

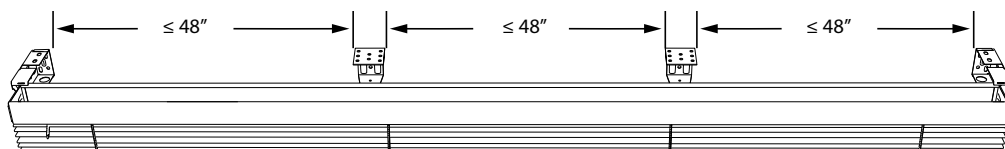
IMPORTANT: If your blinds are over 48" wide, a Support Bracket is required

Support Brackets

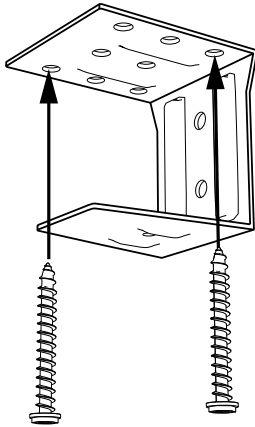
Adjust placement of your Support Bracket so it does not interfere with cords or headrail components while keeping it as close to center as possible



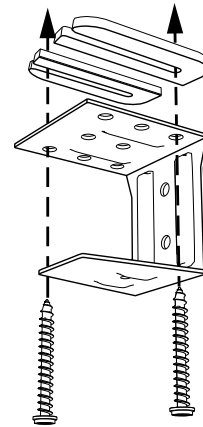
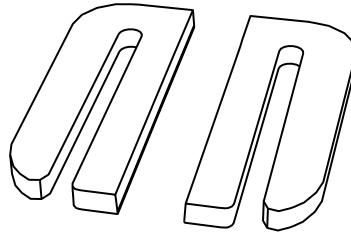
If you have multiple support brackets, distribute them evenly along the length of the headrail. Ensure that they are no more than 48 inches apart and do not interfere with any cords or headrail components.



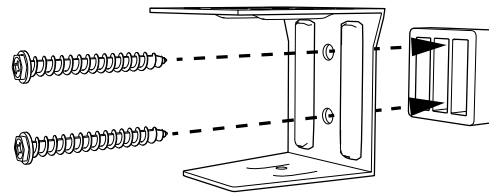
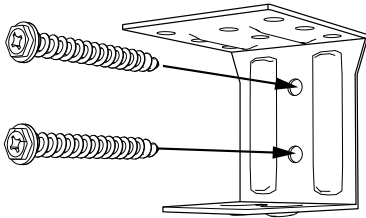
INSIDE MOUNT



IMPORTANT: Accu-Rise Headrail Components extend beyond the top of the Headrail and Spacers may be required on the Brackets for Inside Mount Applications

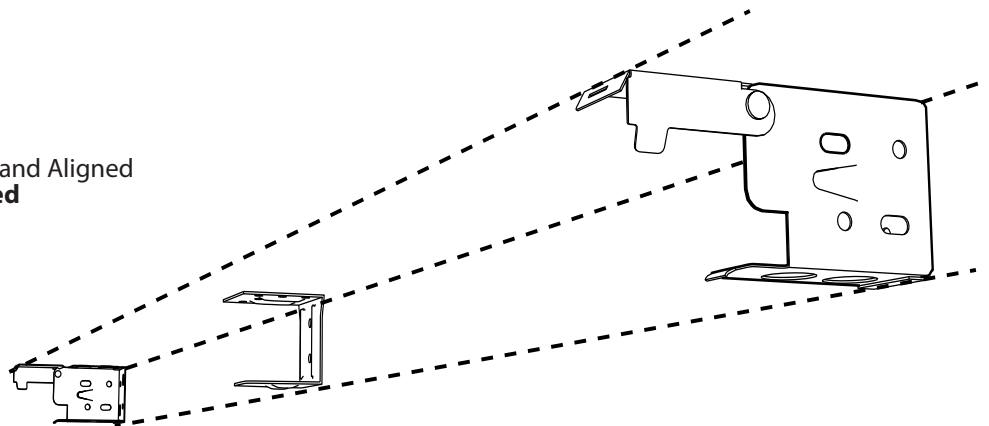


OUTSIDE MOUNT

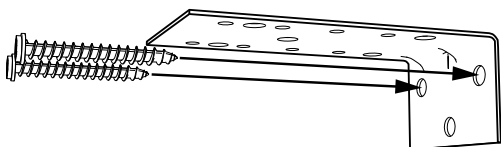


IMPORTANT: Spacer Blocks are REQUIRED for blinds with 2 1/2" slats

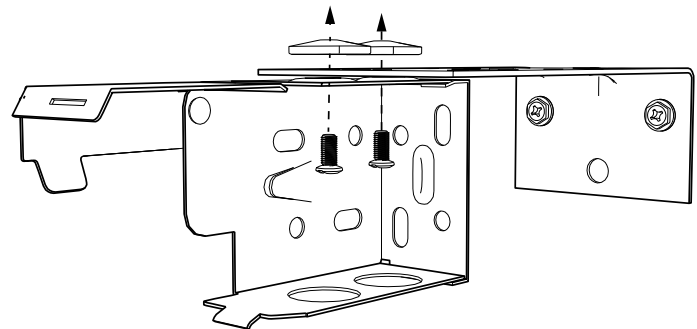
IMPORTANT: Brackets must be Level and Aligned
Shimming may be required



Extension Brackets (optional)

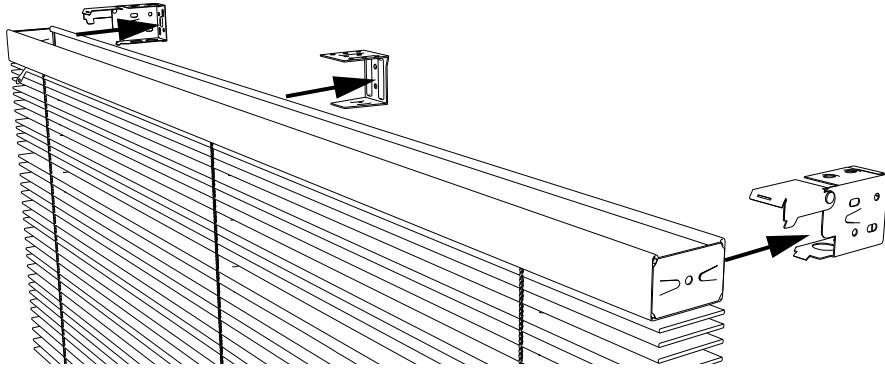


Use Two Screws to secure each Extension Bracket to mounting surface at each marked location from previous steps



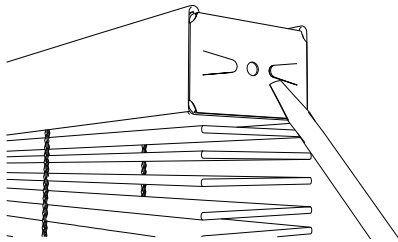
Using the nuts and bolts provided, attach the Mounting Brackets securely to each Extension Bracket

3 Install Blind



Center Headrail and insert into the mounted Brackets

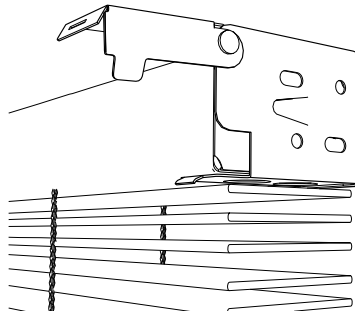
Take care not to damage slats or cords



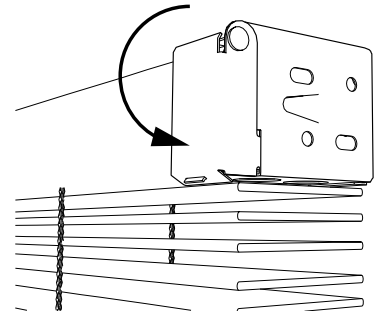
If your Headrail is Loose in the Brackets, use a screwdriver to pry the tabs of the end caps out

If your Headrail is Tight in the Brackets, use a screwdriver to push the tabs of the end caps in

Make sure Headrail is fully seated in each bracket

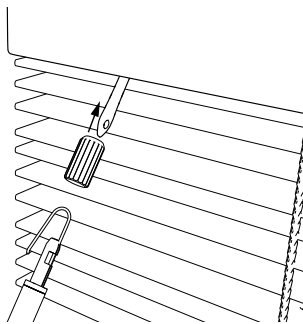


Close each Hinge Bracket until the locking tab is fully protruded through the locking hole

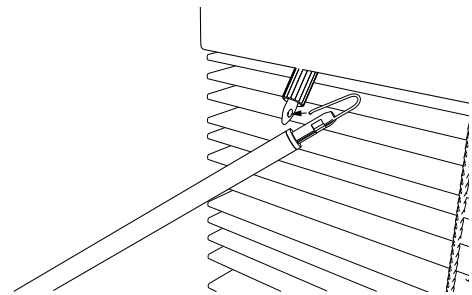


4 Install Wand

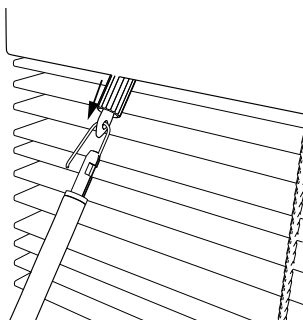
Slide Locking Collar onto the Wand Control Arm



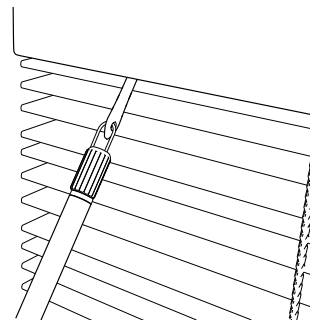
Insert the Hook of the Wand into the eyelet of the Wand Control Arm



Slide Locking Collar down over the Wand Hook



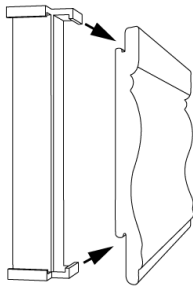
Wand installation is complete when Locking Collar is fully seated



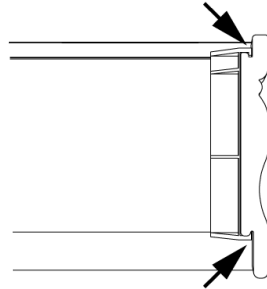
5 Install Valance

Assemble Returns (optional)

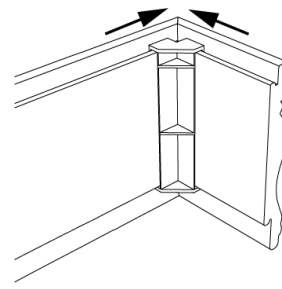
Your style of return brackets will vary depending on which product you ordered



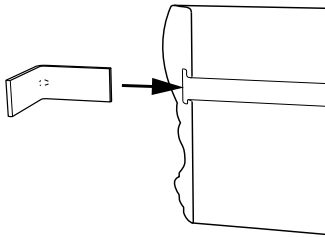
Slide Returns and Valance into bracket



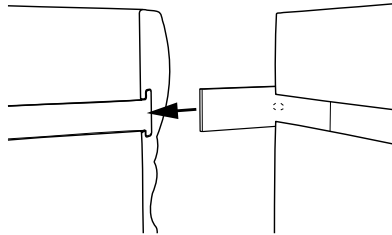
Tabs will fit into the notches



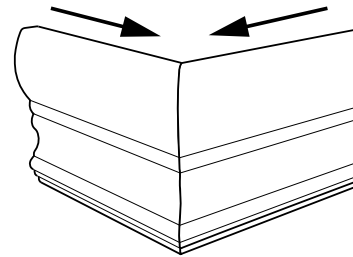
Slide Returns and Valance together until a flush corner is made



Slide Bracket into Return

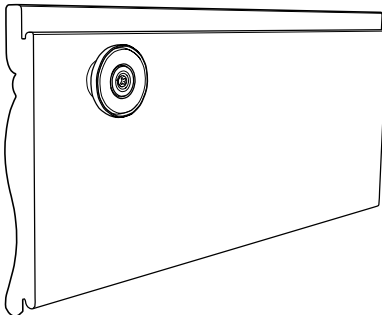


Slide Bracket into the Valance slot

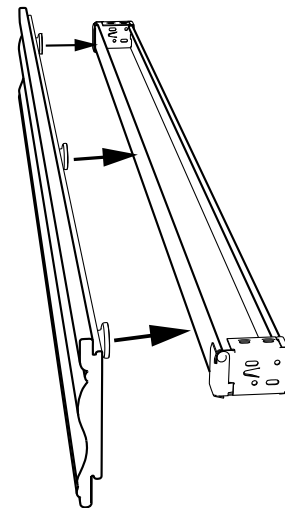


Push together until a flush corner is made

Magnets

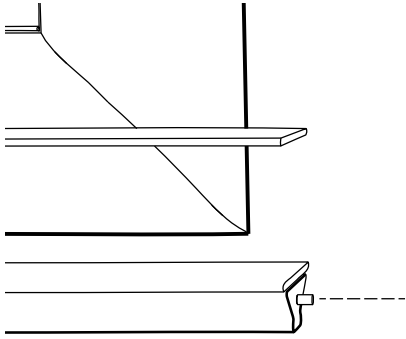


Center the Valance with the Headrail and make sure that it is level

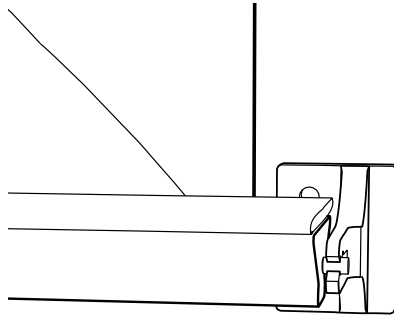


6 Install Hold Downs (optional)

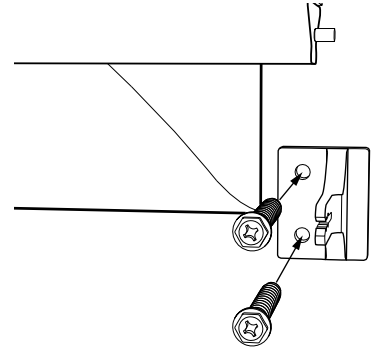
Outside Mount



Fully lower blind and mark Hold Down Pin location



Push pin into Hold Down Bracket in a position that the blind still rests comfortably



Raise the Blind out of the way and secure Hold Down Bracket to wall with two screws